

6 Piston Superlite Narrow Caliper on 12.00" Rotor Inboard Brake Kit for Dirt Sprint Cars

Wilwood's latest race-proven brake kit combines the newest **Forged Narrow Superlite** six piston caliper with a lightweight **Super Alloy Titanium 12.00"** rotor and new **XRZ** axle spline floating rotor mounting system to provide powerful brake torque and precise pedal feel on dirt tracks.

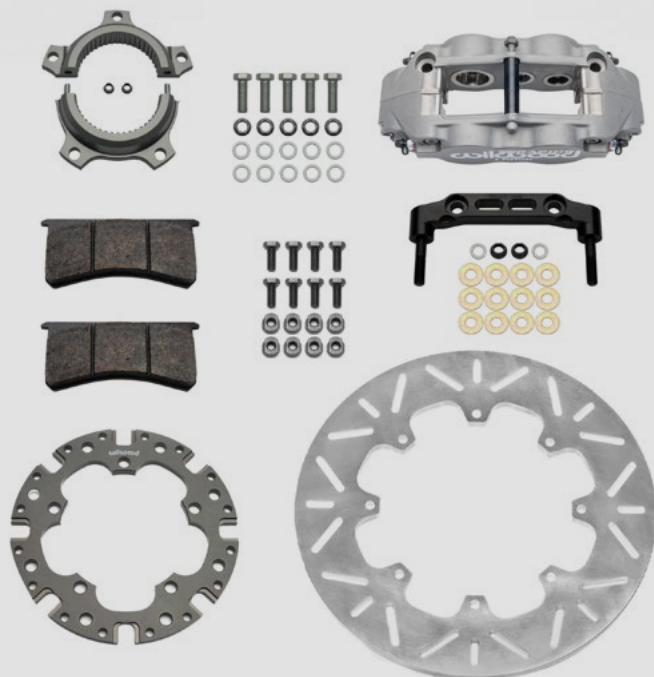
FEATURES:

- The new .38" rotor width is the smallest so far in the 6 piston **Narrow Superlite** series
- Stress-flow high-strength forged aluminum **Superlite** caliper body provides superior clamping force without excessive weight
- Differential bore **FNSL6R/ST** with two 1.62" and four 1.12" diameter **Thermlock** pistons provide progressive engagement and increased brake pad life



P/N: 140-17792

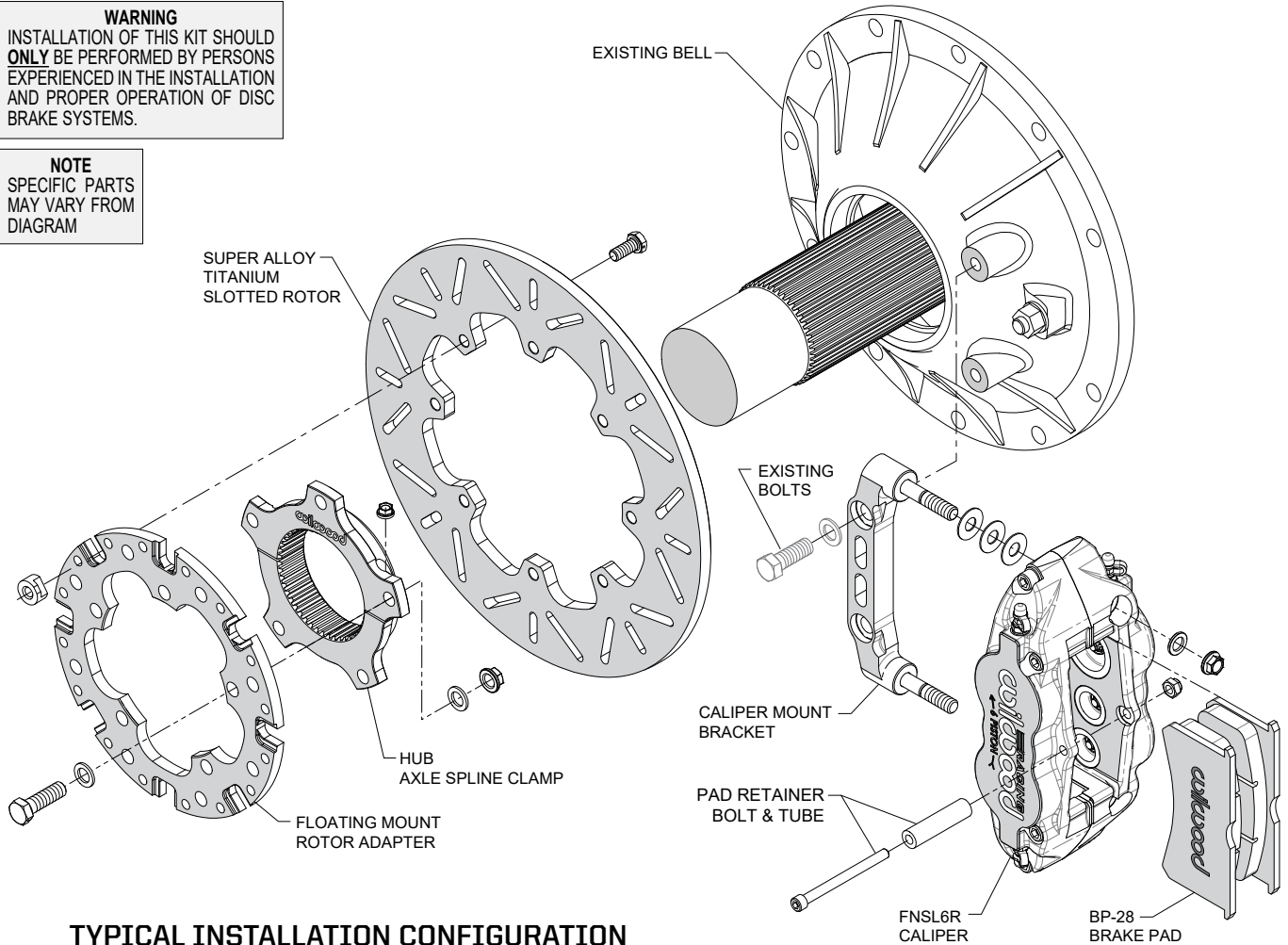
FNSL6R Sprint Brake Kit



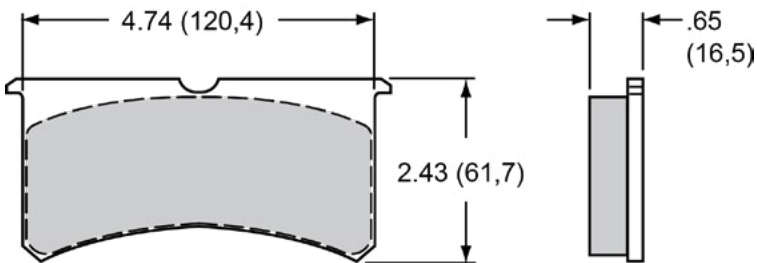
- **XRZ** Sprint 46-tooth axle spline and rotor mounting system improves stiffness and simplifies the assembly/disassembly process, saving the splines from wear and tear
- Radial mount Caliper is **Type III hard anodized** with tough ceramic-oxide to resist wear inside and out while protecting against corrosion
- **Super Alloy** treated titanium rotors show improved toughness, increased life, better low-temperature friction, and less high-temperature creep and distortion on wing and non-wing Sprint Cars
- Kit includes **SmartPad BP-28** compound brake pads (other tuning compounds also available)

WARNING
INSTALLATION OF THIS KIT SHOULD **ONLY** BE PERFORMED BY PERSONS EXPERIENCED IN THE INSTALLATION AND PROPER OPERATION OF DISC BRAKE SYSTEMS.

NOTE
SPECIFIC PARTS MAY VARY FROM DIAGRAM



ORDERING INFORMATION: FNSL6R CALIPER TYPE 7416 PAD



PART NUMBER	COMPOUND
150-45-7416K	BP-45 SmartPad
150-12244K	BP-40 SmartPad
150-35-7416K	BP-35 SmartPad
150-28-7416K	BP-28 SmartPad (included)

ORDERING INFO: PH: 805.388.1188 • FAX: 805.388.4938 • wilwood.com • info@wilwood.com

PART NUMBER	DESCRIPTION	CALIPER FINISH	ROTOR SIZE	ROTOR TYPE
140-17792	Forged Narrow Superlite 6 Radial Sprint Inboard Rear Brake Kit	Type III Hard Ano	12.00" x 0.36"	Super Alloy Titanium Slotted