

Aero6-DM “Direct-Mount” Brake Kits

✓ 2013-2018 **RAM 1500 Trucks**

Wilwood's Aero6-DM direct-mount caliper brake kits are designed to fit 2013-18 Ram 1500 trucks using most 17" or larger wheels. Upgrade the OE cast-iron, sliding two piston calipers and stock rotors to Wilwood's direct-mount, forged aluminum six piston calipers and premium iron alloy rotors to improve performance and pedal feel.

Designed and engineered to fit under most factory and aftermarket wheels 17" and larger, providing better thermal capability for high-demand driving, including towing, commercial and off-road use.

KIT FEATURES:

- Directly mounts to factory spindles and hubs with no modifications or additional brackets
- Provides greater brake torque and increased thermal stability, and fits behind most 17" and larger wheels

CALIPERS: AERO6-DM

- Stress-flow forged aluminum Aerolite calipers are engineered for direct mounting with six differential bore pistons for more even clamping force and closed bridge for minimal deflection
- Compatible with the factory master cylinder, ABS and all electronic controls
- Calipers available in gloss black or red powder coat, or 24 additional color options (additional charges apply)

ROTORS: GTB or SRP

- 13.38" x 1.25" premium-grade, iron alloy 48 vane vented rotors for heavy duty use
- Choose between E-coated GTB slotted, or SRP drilled and slotted rotor faces

BRAKE PADS: BP-Q

- BP-Q ceramic-based, dual-sport SmartPad for everyday street or performance driving (additional compounds available)

INSTALLATION PARTS:

- Stainless steel Flexlines and premium-grade hardware included



**Aero6-DM Six Piston Brake Kit
13.38" SRP Drilled & Slotted Rotor**



**Aero6-DM Six Piston Brake Kit
13.38" GT Slotted Rotor**

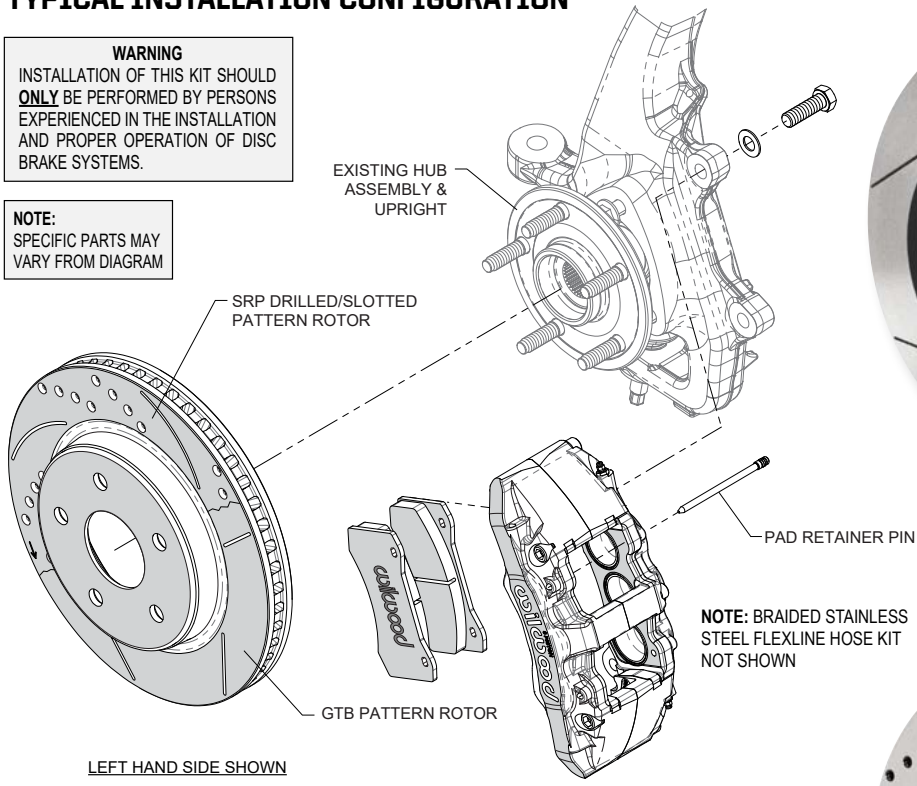
Aero6-DM "Direct-Mount" Brake Kits

✓ 2013-18 **RAM 1500 Trucks**

TYPICAL INSTALLATION CONFIGURATION

WARNING
INSTALLATION OF THIS KIT SHOULD ONLY BE PERFORMED BY PERSONS EXPERIENCED IN THE INSTALLATION AND PROPER OPERATION OF DISC BRAKE SYSTEMS.

NOTE:
SPECIFIC PARTS MAY VARY FROM DIAGRAM



ORDERING INFO: PH: 805.388.1188 • FAX: 805.388.4938 • wilwood.com • info@wilwood.com

BLACK	RED	DESCRIPTION	CALIPER TYPE	ROTOR TYPE	ROTOR SIZE
140-17760	140-17760-R	Kit, Front, Aero6-DM, RAM Truck, 2013-18	Aerolite 6 Piston Direct-Mount	GTB Slotted	13.38" x 1.25"
140-17760-D	140-17760-DR	Kit, Front, Aero6-DM, RAM Truck, 2013-18	Aerolite 6 Piston Direct-Mount	SRP Drilled & Slotted	13.38" x 1.25"