

TX6-DM “Direct-Mount” Big Brake Kits

- ✓ 2005-22 **Ford F-250/350 Trucks**
- ✓ 2011-UP **GM 2500/3500 Trucks**
- ✓ 2014-23 **Ram 2500/3500 Trucks**

Wilwood's TX6-DM Direct-Mount caliper big brake kits are designed to fit HD trucks using 20" or larger wheels. Upgrade the crude cast iron OE calipers and smaller rotors to Wilwood's Direct-Mount, net-forged Truck Xtreme six piston calipers with 15" premium iron alloy rotors for more consistent braking and improved pedal feel.

Drawing from motorsports and military expertise, these brake kits provide increased thermal capacity to inspire confidence in high-demand applications, including towing, hauling, and commercial use.

KIT FEATURES:

- Directly mounts to factory spindles and hubs with no modifications or additional brackets
- Provides greater brake torque and increased thermal capacity, and fits behind most 20" and larger wheels

CALIPERS: TX6-DM

- Stress-flow forged aluminum Truck Xtreme calipers are engineered for direct-mounting with six differential bore pistons for balanced engagement, and reinforced end bridges to reduce deflection
- Compatible with the factory rear brakes master cylinder, ABS and all electronic controls
- Calipers available in gloss black or red powder coat, or 24 additional color options (additional charges apply)

ROTORS: GTB Slotted

- 15.00" x 1.50" premium, iron alloy vented hat/rotor for heavy duty use
- GTB slotted faces with 48 internal vanes for better thermal cooling
- Complete E-coating applied to resist corrosion inside and out

BRAKE PADS: SmartPad® BP-Q

- New "Q" ceramic-based, dual-sport SmartPad for everyday street or performance driving (additional compounds available)

INSTALLATION PARTS:

- Stainless steel Flexline kits and premium-grade hardware included



TX6-DM "Direct-Mount" Big Brake Kits

- ✓ 2005-22 **Ford F-250/350 Trucks**
- ✓ 2011-UP **GM 2500/3500 Trucks**
- ✓ 2014-23 **Ram 2500/3500 Trucks**



Ford F-250/350 Brake Kit



GM 2500/3500 Brake Kit

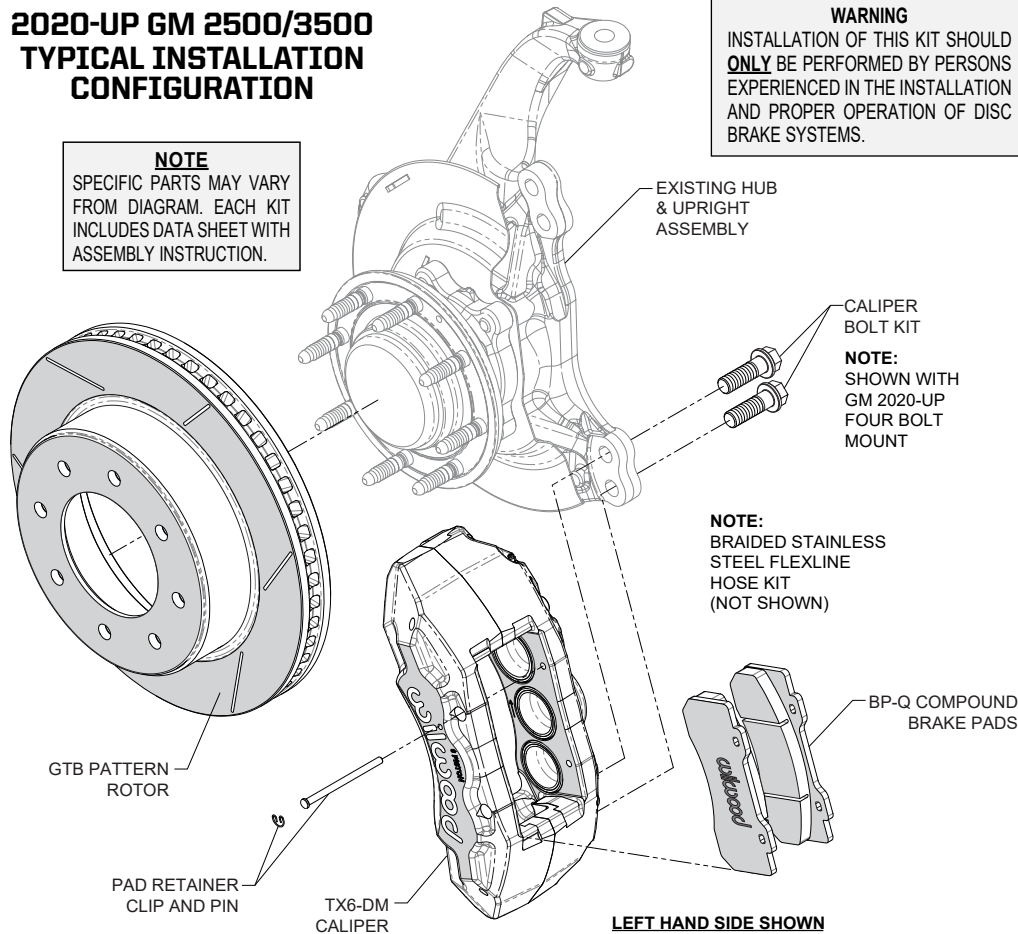


Ram 2500/3500 Brake Kit

2020-UP GM 2500/3500 TYPICAL INSTALLATION CONFIGURATION

NOTE
SPECIFIC PARTS MAY VARY FROM DIAGRAM. EACH KIT INCLUDES DATA SHEET WITH ASSEMBLY INSTRUCTION.

WARNING
INSTALLATION OF THIS KIT SHOULD **ONLY** BE PERFORMED BY PERSONS EXPERIENCED IN THE INSTALLATION AND PROPER OPERATION OF DISC BRAKE SYSTEMS.



ORDERING INFO: PH: 805.388.1188 • FAX: 805.388.4938 • wilwood.com • info@wilwood.com

BLACK	RED	DESCRIPTION	CALIPER TYPE	ROTOR TYPE	ROTOR SIZE
140-17610	140-17610-R	Kit, Front, TX6-DM, 2005-10 Ford F-250/350	Tactical Xtreme Direct-Mount	GTB Slotted	15.00" x 1.50"
140-17776	140-17776-R	Kit, Front, TX6-DM, 2011-12 Ford F-250/350	Tactical Xtreme Direct-Mount	GTB Slotted	15.00" x 1.50"
140-17596	140-17596-R	Kit, Front, TX6-DM, 2013-22 Ford F-250/350	Tactical Xtreme Direct-Mount	GTB Slotted	15.00" x 1.50"
140-17643	140-17643-R	Kit, Front, TX6-DM, 2011-19 GM 2500/3500	Tactical Xtreme Direct-Mount	GTB Slotted	15.00" x 1.50"
140-17468	140-17468-R	Kit, Front, TX6-DM, 2020-UP GM 2500/3500	Tactical Xtreme Direct-Mount	GTB Slotted	15.00" x 1.50"
140-17606	140-17606-R	Kit, Front, TX6-DM, 2014-23 Ram 2500/3500	Tactical Xtreme Direct-Mount	GTB Slotted	15.00" x 1.50"