

Big Brake Kits **2022-23** Polaris **5-Lug RZR TURBO** and **PRO R** UTVs

Wilwood has engineered and tested premium performance 5-lug brake kits for the more powerful UTVs now available. Kits feature **Lug-Drive** technology that dynamically mounts steel rotors to lightweight aluminum hats, and Wilwood's super-strength stress-flow forged **Dynapro** calipers.

Users will experience increased pedal feel and brake torque with minimum knockback, longer pad life, and peace-of-mind reliability during sport rides or hardcore racing.

Our new 5-lug UTV kits utilize the same engineering and manufacturing technology Wilwood has implemented for decades on braking systems for race cars, performance street cars, trucks, and armored vehicles.



**Featuring Wilwood's
Lug-Drive Technology**



**26 COLOR
OPTIONS
AVAILABLE**
*Additional charges may apply.



CALIPERS: NDPR-4

- **DYNAPRO:** Stress-flow forged aluminum with radial mount provides superior strength and extreme durability for trail to off-road racing use
- Four stainless steel pistons equipped with high-temperature seals protect brake fluid from heat and dirt
- Secure pad retainer clip removes easily for quick access
- Offered in gloss black or red powder coat, Type III hard anodized for racing, or 24 additional color choices (surcharges apply)

ROTORS:

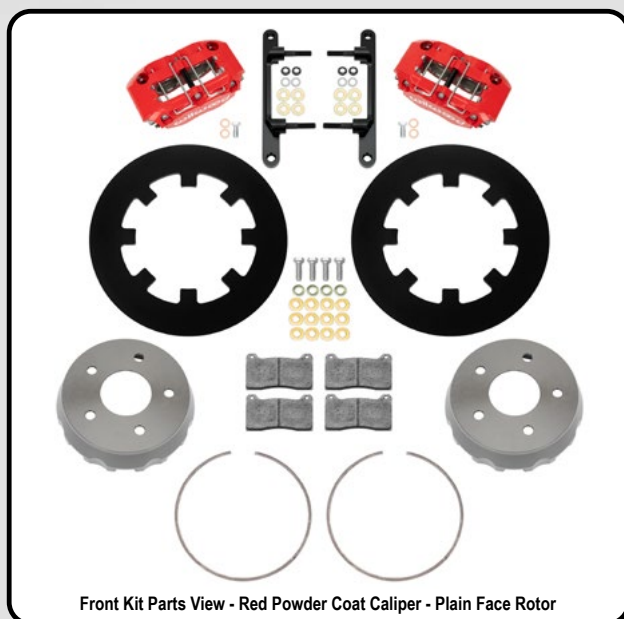
- Thick steel alloy rotors use Wilwood's dynamically mounted Lug-Drive technology to mount the hat and virtually eliminate piston knockback
- High resistance to thermal distortion with excellent friction and wear characteristics
- Black E-coated rotors offered in plain face, or drilled

BRAKE PADS:

- High-performance **BP-10** brake pads come standard, with **BP-28** pads in race spec kits

INSTALLATION PARTS:

- Kits include precision machined brackets and necessary hardware



Front Kit Parts View - Red Powder Coat Caliper - Plain Face Rotor

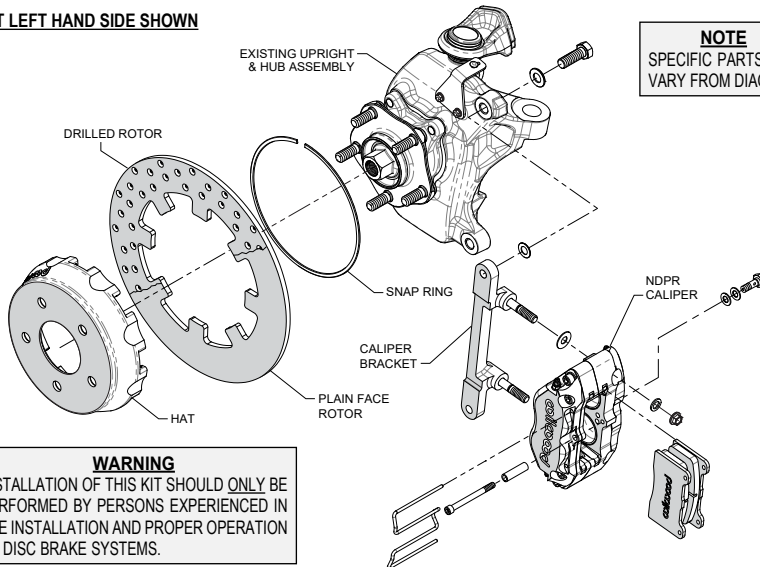
UTV BRAKES wilwood

POLARIS 5-LUG RZR TURBO & PRO R

2022 - 2023

BIG BRAKE KITS

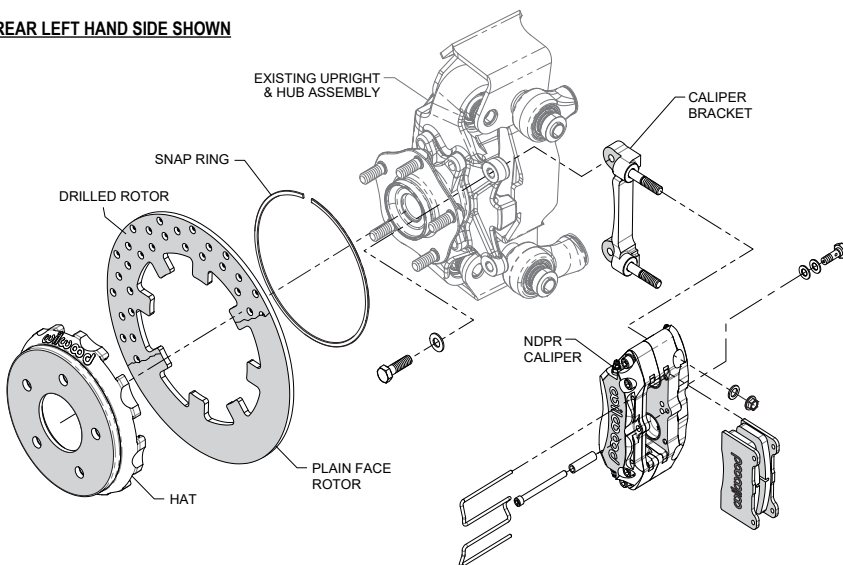
FRONT LEFT HAND SIDE SHOWN



WARNING
INSTALLATION OF THIS KIT SHOULD ONLY BE PERFORMED BY PERSONS EXPERIENCED IN THE INSTALLATION AND PROPER OPERATION OF DISC BRAKE SYSTEMS.

TYPICAL INSTALLATION CONFIGURATION

REAR LEFT HAND SIDE SHOWN



Front Brake Kits with Plain Face and Drilled Rotors



Rear Brake Kits with Plain Face and Drilled Rotors



Race Brake Kits with Plain Face Rotors

ORDERING INFO: PH: 805.388.1188 • FAX: 805.388.4938 • wilwood.com • info@wilwood.com

BLACK	RED	DESCRIPTION	CALIPER TYPE	ROTOR TYPE	ROTOR SIZE
140-17568	140-17568-R	Kit, Front, NDPR, Polaris, RZR TURBO & PRO R, 2022-23	NDPR 4 Piston	Plain Face Steel	11.25" x 0.25"
140-17568-D	140-17568-DR	Kit, Front, NDPR, Polaris, RZR TURBO & PRO R, 2022-23	NDPR 4 Piston	Drilled Steel	11.25" x 0.25"
140-17735	140-17735-R	Kit, Rear, NDPR, Polaris, RZR TURBO & PRO R, 2022-23	NDPR 4 Piston	Plain Face Steel	11.25" x 0.25"
140-17735-D	140-17735-DR	Kit, Rear, NDPR, Polaris, RZR TURBO & PRO R, 2022-23	NDPR 4 Piston	Drilled Steel	11.25" x 0.25"
TYPE-III HARD ANODIZED		RACE SPEC			
140-17731		Kit, Front, NDPR, Race, Polaris, RZR TURBO & PRO R, 2022-23	Race NDPR 4 Piston	Plain Face Steel	11.25" x 0.25"
140-17734		Kit, Rear, NDPR, Race, Polaris, RZR TURBO & PRO R, 2022-23	Race NDPR 4 Piston	Plain Face Steel	11.25" x 0.25"