

Front & Rear Big Brake Kits for 1999-2012, Porsche 911 Generations 996/997

Wilwood engineered these big brake kits for the 1999-2012 Porsche 911 (996 and 997) around motorsports-proven forged aluminum calipers. Larger 356mm (14.00") **Spec37** alloy front rotors with forged aluminum mounting hats produce greater brake torque and resist fade. Rear kits feature 330mm (12.98") iron rotors with caliper pistons sized for proper bias.

KITS FEATURE:

- Motorsports-proven stress-flow forged aluminum calipers as used in countless road race, circle track, and off-road competition classes, evolved and refined through millions of laps
- Designed to work with OE master cylinder, ABS system

CALIPERS

- FRONT: **Aerolite** six piston with central stiffening bridge to reduce deflection and improve feel
- REAR: **Superlite** four pistons sized to balance brake bias
- Stainless steel pistons and high temperature seals
- Offered in gloss Le Mans yellow, black or red powder coat, over durable wear-resistant Type-III hard anodized coating

ROTORS

- FRONT: Oversized 356mm (14.00") x 32mm (1.25") proprietary **Spec37** alloy rotors with forged aluminum mounting hat (Nearly 38mm/1.5" larger than OE)
- REAR: Oversized 330mm (12.98") x 28mm (1.10") one-piece iron rotors (31mm/1.22" larger than OE)
- Precision-machined, low-distortion rotors with directional cooling vanes to handle extreme heat
- Black E-coated rotors offered in **GTB** slotted, or **SRP** drilled and slotted faces

BRAKE PADS: BP-10

- High-performance street **BP-10** brake pads with many other friction compounds available

INSTALLATION PARTS:

- Kits include brackets, stainless Flexlines, fittings, and hardware

AEROLITE FRONT
BIG BRAKE KITS

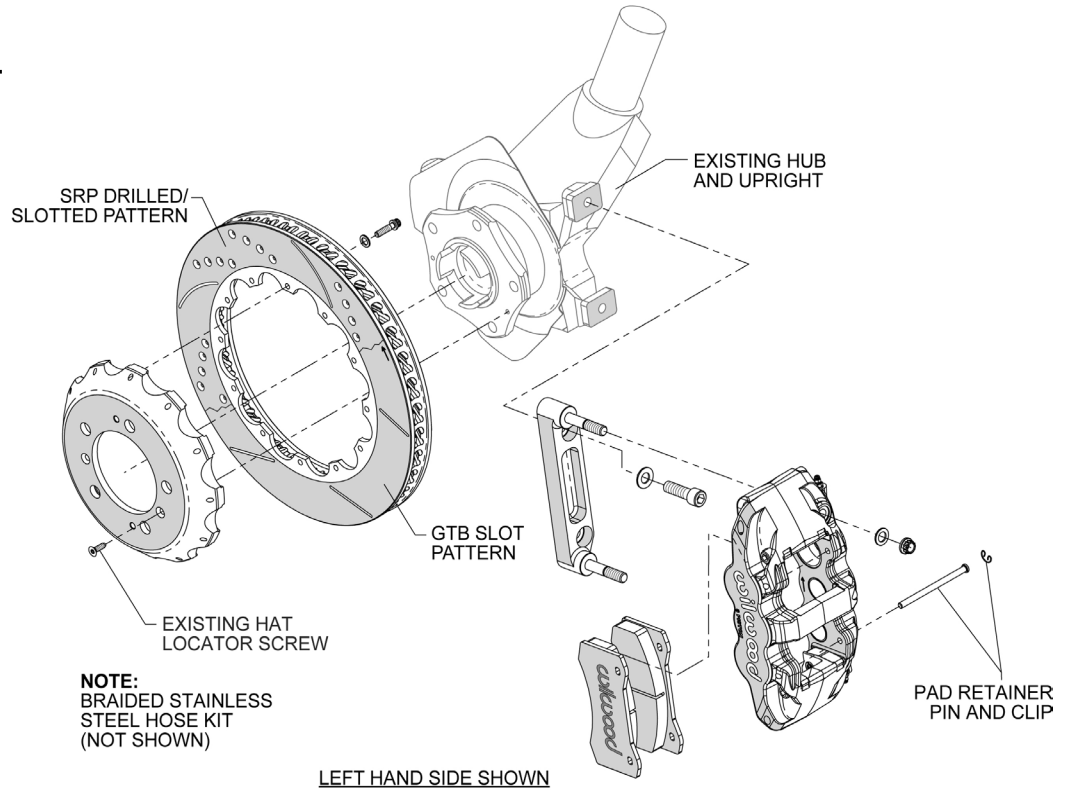
SUPERLITE REAR
BIG BRAKE KITS



TYPICAL INSTALLATION CONFIGURATION - FRONT

WARNING
INSTALLATION OF THIS KIT SHOULD **ONLY** BE PERFORMED BY PERSONS EXPERIENCED IN THE INSTALLATION AND PROPER OPERATION OF DISC BRAKE SYSTEMS.

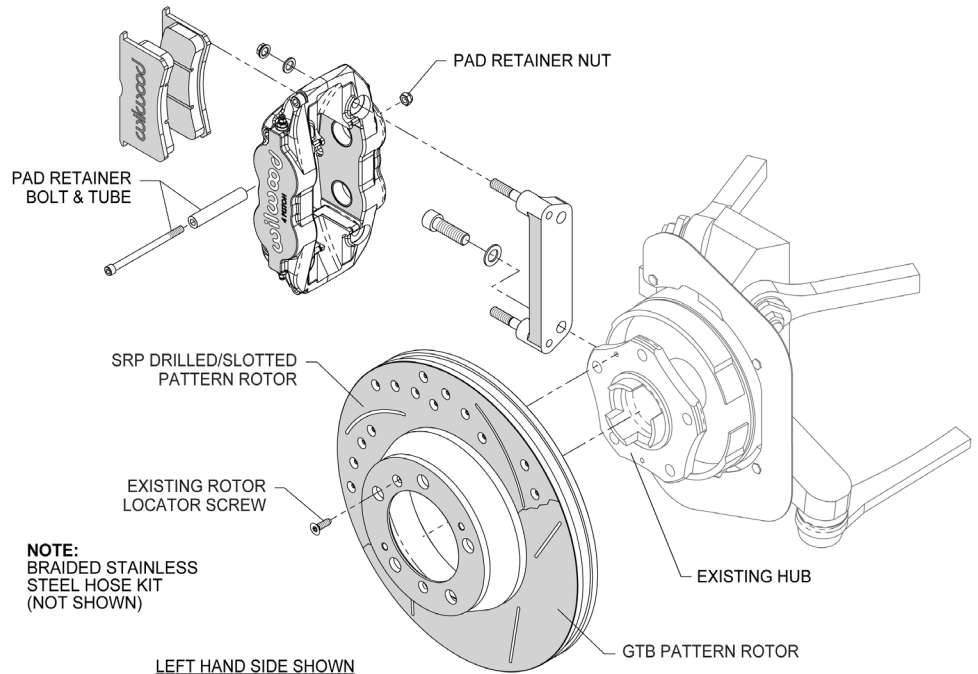
NOTE
SPECIFIC PARTS MAY VARY FROM DIAGRAM



TYPICAL INSTALLATION CONFIGURATION - REAR

WARNING
INSTALLATION OF THIS KIT SHOULD **ONLY** BE PERFORMED BY PERSONS EXPERIENCED IN THE INSTALLATION AND PROPER OPERATION OF DISC BRAKE SYSTEMS.

NOTE
SPECIFIC PARTS MAY VARY FROM DIAGRAM



wilwood

DISC BRAKES

996 / 997 PORSCHE 911

1999 - 2012

FRONT & REAR BIG BRAKE KITS



AEROLITE
6 PISTON
FRONT

SUPERLITE
4 PISTON
REAR

ORDERING INFO: PH: 805.388.1188 • FAX: 805.388.4938 • wilwood.com • info@wilwood.com

CALIPER COLOR			DESCRIPTION / YEAR	ROTOR	ROTOR TYPE
BLACK	RED	Le Mans YELLOW			
140-17100	140-17100-R	140-17100-Y	Front, Aerolite Big Brake Kit '99-12 Porsche 911	14.00" x 1.25" (356mm x 32mm)	GTB Slotted Face
140-17100-D	140-17100-DR	140-17100-DY	Front, Aerolite Big Brake Kit '99-12 Porsche 911	14.00" x 1.25" (356mm x 32mm)	SRP Drilled/Slotted
140-17101	140-17101-R	140-17101-Y	Rear, Superlite Big Brake Kit '99-12 Porsche 911	12.98" x 1.10" (330mm x 28mm)	GTB Slotted Face
140-17101-D	140-17101-DR	140-17101-DY	Rear, Superlite Big Brake Kit '99-12 Porsche 911	12.98" x 1.10" (330mm x 28mm)	SRP Drilled/Slotted