

Lightweight Finned **Billet Aluminum** **Reservoirs** for brake and clutch

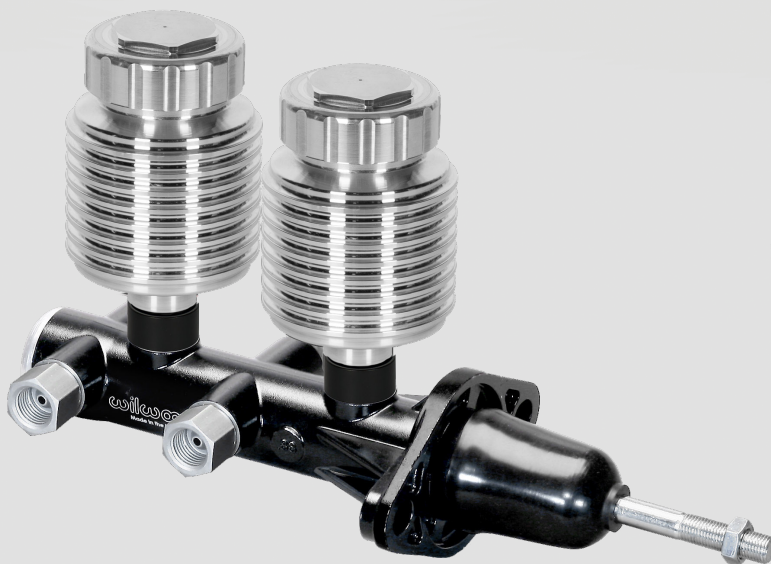
Finned aluminum brake fluid reservoirs from Wilwood give your engine bay or firewall a unique high-performance look. Machining ribs in the billet reduces weight and increases surface area for passive cooling.

Works for brake or clutch master cylinders via remote- or direct-mount:

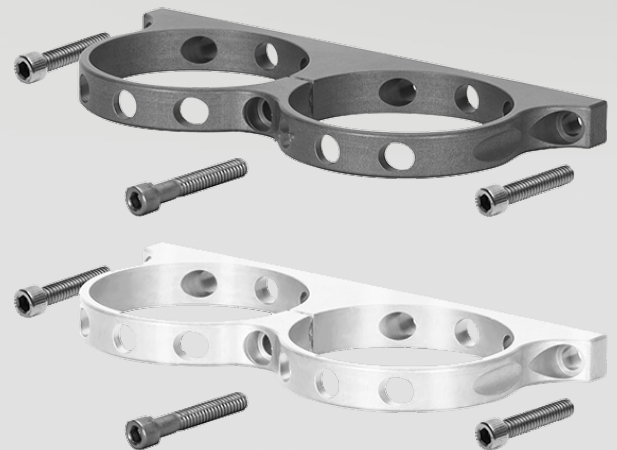
- Classic hot rod style finned aluminum
- Weighs just 4.6 ounces with billet cap, and even less with black plastic cap
- Media burnished polished aluminum or Type III hard anodized gray finish
- Holds 4 ounces of fluid
- Matching billet mounting brackets available



Remote-mount lightweight finned aluminum reservoirs



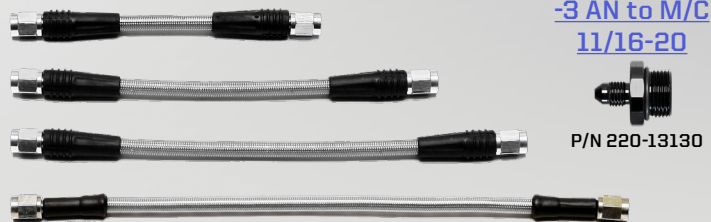
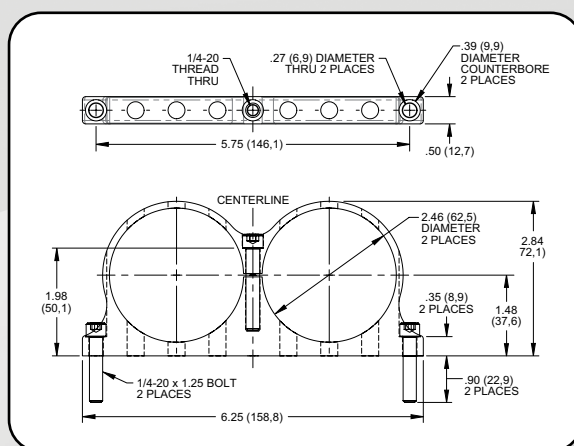
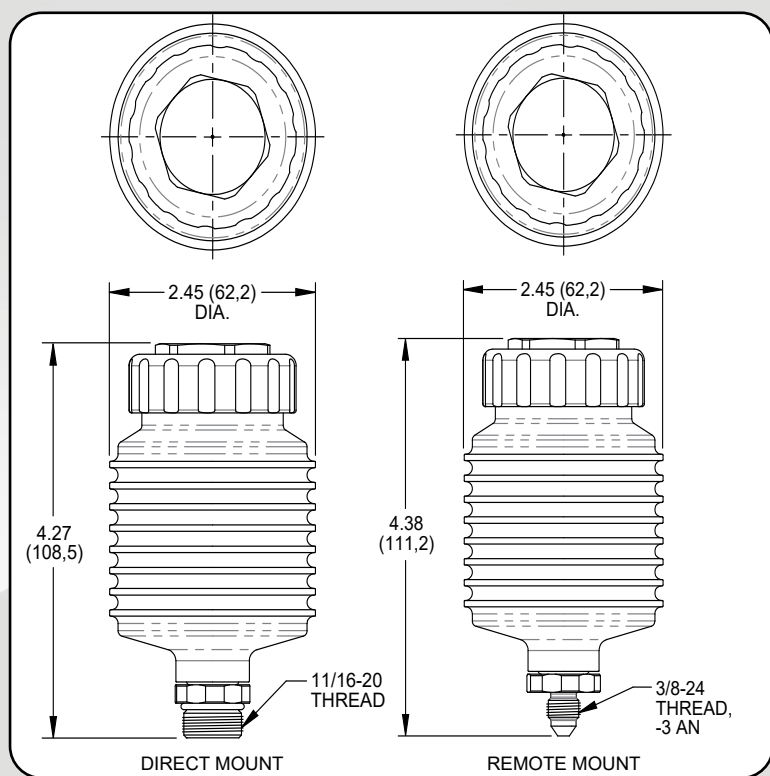
Direct-mount burnished reservoirs shown on
Wilwood's Remote Tandem Master Cylinder



Matching double mounting brackets



Lightweight Finned **Billet Aluminum** Reservoirs for brake and clutch



Braided stainless **-3 AN flexlines** available in 6-inches and up to connect reservoirs to master cylinder

ORDERING INFO: PH: 805.388.1188 • FAX: 805.388.4938 • wilwood.com • info@wilwood.com

PART NUMBER	DESCRIPTION	MOUNT TYPE	FINISH	SIZE	CAP TYPE
260-16389	Lightweight billet aluminum reservoir, direct mount, polished	Direct mount	Media burnished	4 ounces	Aluminum
260-16390	Lightweight billet aluminum reservoir, remote mount, polished	Remote mount	Media burnished	4 ounces	Aluminum
260-16391	Lightweight billet aluminum reservoir, direct mount, hard anodized	Direct mount	Hard anodized	4 ounces	Black nylon plastic
260-16392	Lightweight billet aluminum reservoir, remote mount, hard anodized	Remote mount	Hard anodized	4 ounces	Black nylon plastic
250-16327	Lightweight billet aluminum double bracket, polished	Remote mount	Media burnished	Double	
250-16393	Lightweight billet aluminum double bracket, polished	Remote mount	Hard anodized	Double	