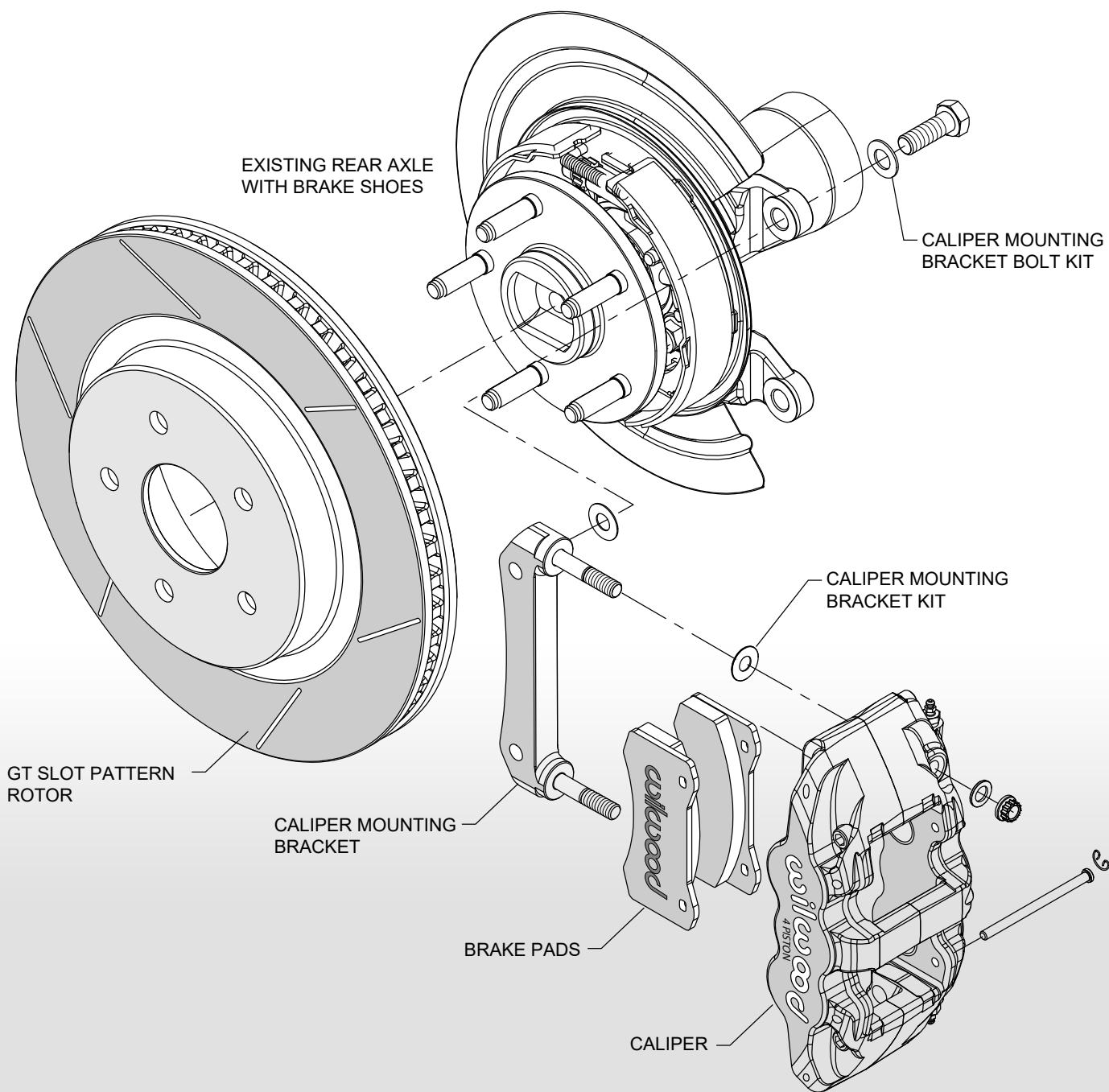


- High-capacity braking for all types of high-demand highway, towing, commercial and heavy-load off-road applications
- Aerolite 4R four piston forged aluminum rear calipers with staggered bore stainless steel pistons
- One-piece 15.00" x 1.25" GT series E-coat disc/drum-style rotors use the OE factory parking brake assemblies
- Volume-matched calipers are fully compatible with the OE master cylinder, ABS and all electronic controls
- Calipers available in red or black powder coat, or 22 additional color options
- Complete kits include high-performance BP-20 compound *SmartPads*, brackets, hardware and DOT approved stainless steel braided flexlines





ORDERING INFORMATION: 2013 - 2017 Dodge Ram 1500 Rear Brake Kit

PART NUMBER	DESCRIPTION	CALIPER FINISH
140-16026	Aerolite 4R Calipers, 15.00" x 1.25" Certified Alloy GT Competition Series Rotor	Black Powder Coat
140-16026-R	Aerolite 4R Calipers, 15.00" x 1.25" Certified Alloy GT Competition Series Rotor	Red Powder Coat