

WILWOOD Hydraulic Handbrake Lever Assemblies provide a lightweight, high-leverage component for drift cars, drag race cars, rally cars, or any application where hand-actuation of one or more brake calipers is employed. Hand brakes can be configured as stand-alone circuits with dedicated reservoirs and auxiliary calipers, or set up as a pass-through system to operate brake calipers that are also actuated by the foot brake master cylinder.



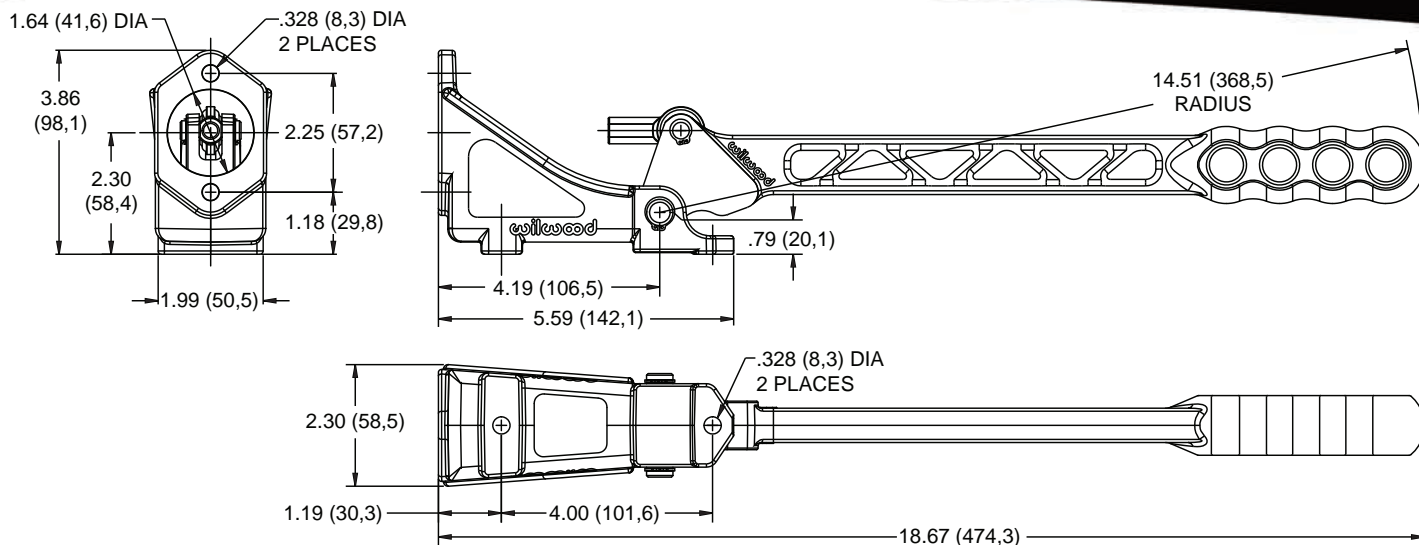
Lever assemblies shown with optional master cylinders



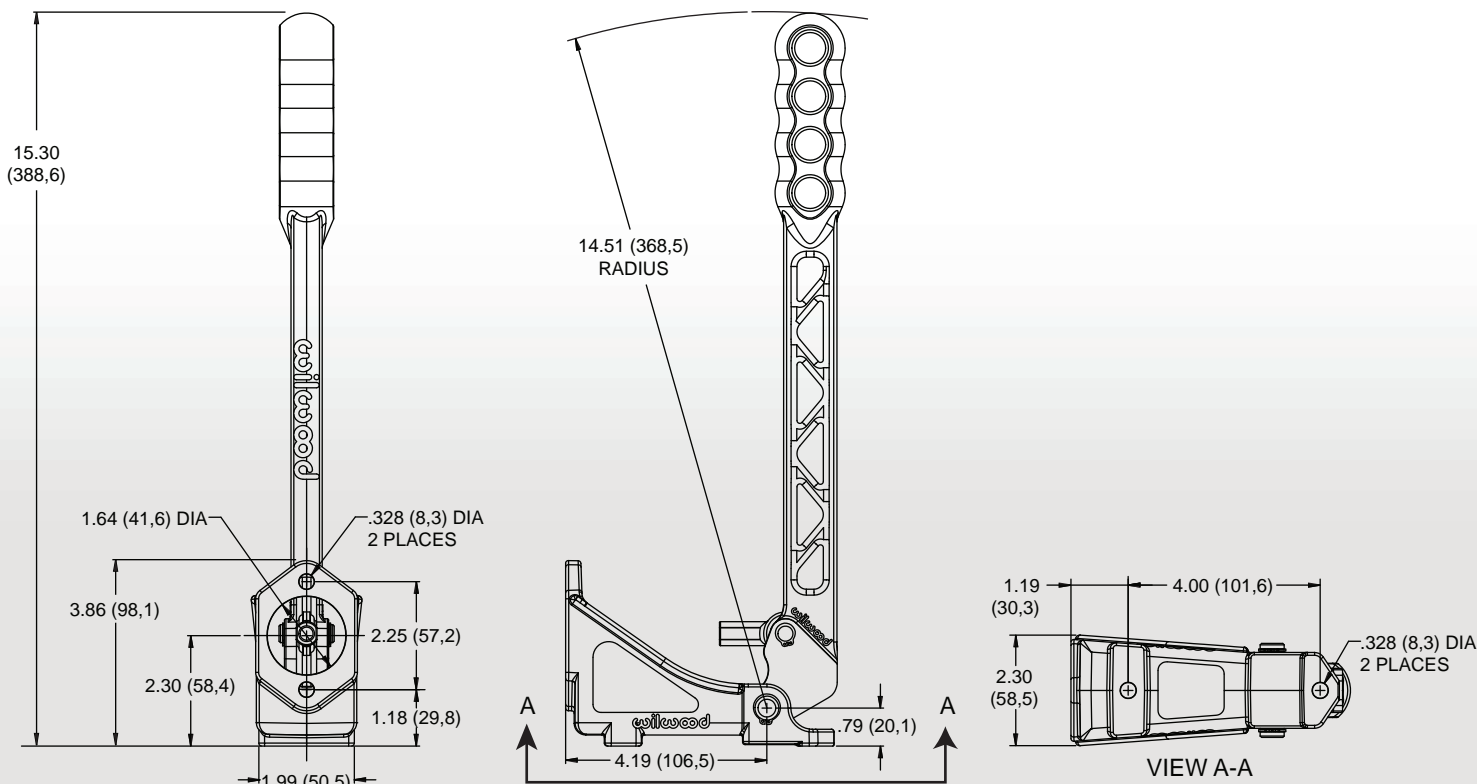
PRODUCT FEATURES

- Lightweight forged aluminum 11:1 ratio "H" beam lever with ergonomic full-length grip
- Choice of vertical or horizontal static lever configuration
- Accepts any vertical flange master cylinder with 2.25" mounting centers
- Use with integral or remote reservoir master cylinders for stand-alone systems
- Use with GS-style, remote-feed master cylinders for pass-through systems
- Durable e-coat finish for long-lasting good looks and resistance to corrosion or oxidation





Horizontal Hand Brake Lever Assembly, Physical Characteristics



Vertical Hand Brake Lever Assembly, Physical Characteristics

ORDERING INFORMATION: Wilwood Hand Brake Lever Assembly

PART NUMBER	DESCRIPTION
340-14768	Horizontal Hand Brake Lever Assembly, 11:1 Ratio
340-14769	Vertical Hand Brake Lever Assembly, 11:1 Ratio