



FORD F-250/F-350 4WD • 2005-2012 TACTICAL XTREME TX6R BIG BRAKE REAR KITS

Tactical Xtreme TX6R brake systems for the Ford F-250 and F-350 single rear wheel, 4-wheel drive Super Duty trucks, provide unmatched capacity and durability for all types of high demand highway, towing, hauling, off-road and commercial heavy load braking applications.

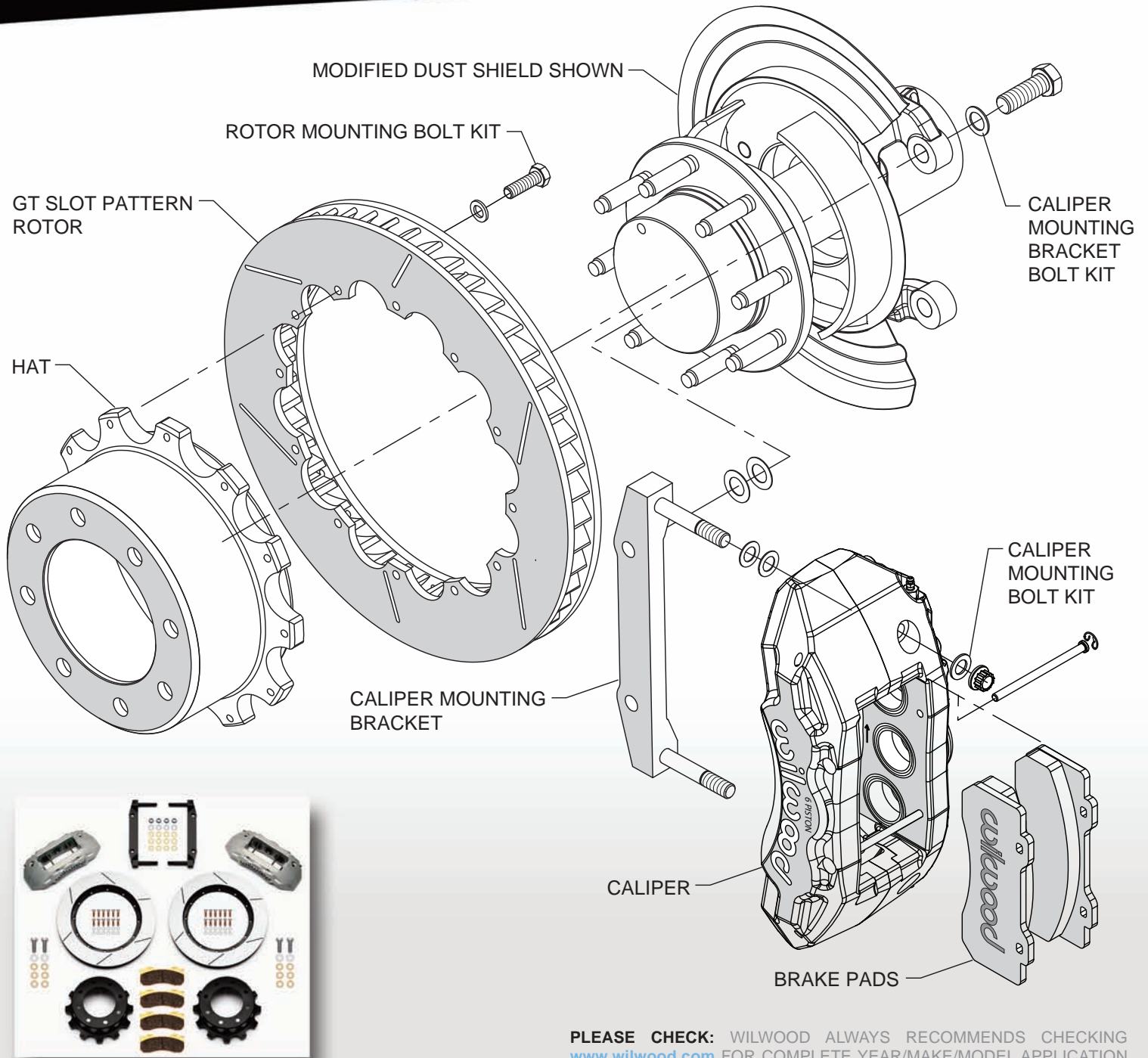


Kit Features



- Based on systems originally developed for tactical and armored vehicle applications
- Forged aluminum calipers with six stainless steel pistons and high-temp internal bore seals
- Big diameter 15.50" by 1.38" thick extreme duty **Spec37** alloy directional vane rotors
- BP-20 metallic-composite formula high response, driver and rotor friendly *SmartPads*
- Engineered specific for full compatibility with the OE hydraulic system and ABS
- Calipers available with red or black powder coat, or clear anodized finish

Note: Check www.wilwood.com for complete year/make/model application data and specific wheel clearance requirements



PLEASE CHECK: WILWOOD ALWAYS RECOMMENDS CHECKING www.wilwood.com FOR COMPLETE YEAR/MAKE/MODEL APPLICATION DATA AND SPECIFIC WHEEL CLEARANCE REQUIREMENTS.

ORDERING INFORMATION: Rear Brake Kits for 2005-2012 Ford F-250/F-350 Super Duty, SRW/4WD

PART NUMBER	DESCRIPTION	CALIPER FINISH
140-13868	Tactical Xtreme TX6R Caliper, 15.50" Spec37 GT Competition Series Rotor	Black Powder Coat
140-13868-R	Tactical Xtreme TX6R Caliper, 15.50" Spec37 GT Competition Series Rotor	Red Powder Coat
140-13868-C	Tactical Xtreme TX6R Caliper, 15.50" Spec37 GT Competition Series Rotor	Clear Anodized
220-14165	Flexline Kit, 2005-2010 Models, Stainless Steel Braided, DOT Compliant	—
220-14166	Flexline Kit, 2011-2012 Models, Stainless Steel Braided, DOT Compliant	—