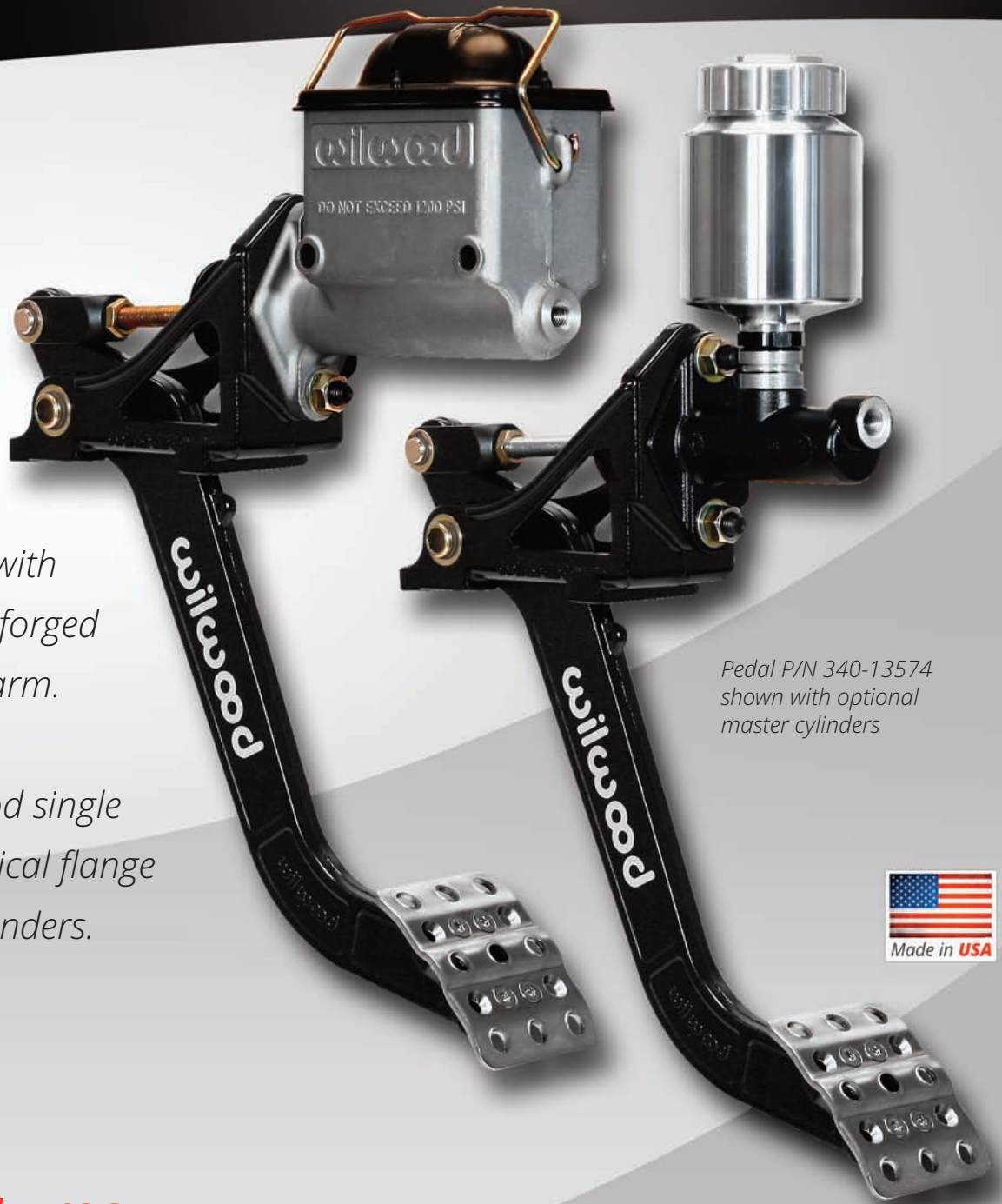


REVERSE SWING MOUNT 6:1 RATIO PEDAL ASSEMBLY

***Wilwood's
Reverse Swing
Single Mount
Pedal Assembly***

*features an all
aluminum frame with
an I-Beam design forged
aluminum pedal arm.*

*Accepts all Wilwood single
or dual outlet vertical flange
mount master cylinders.*

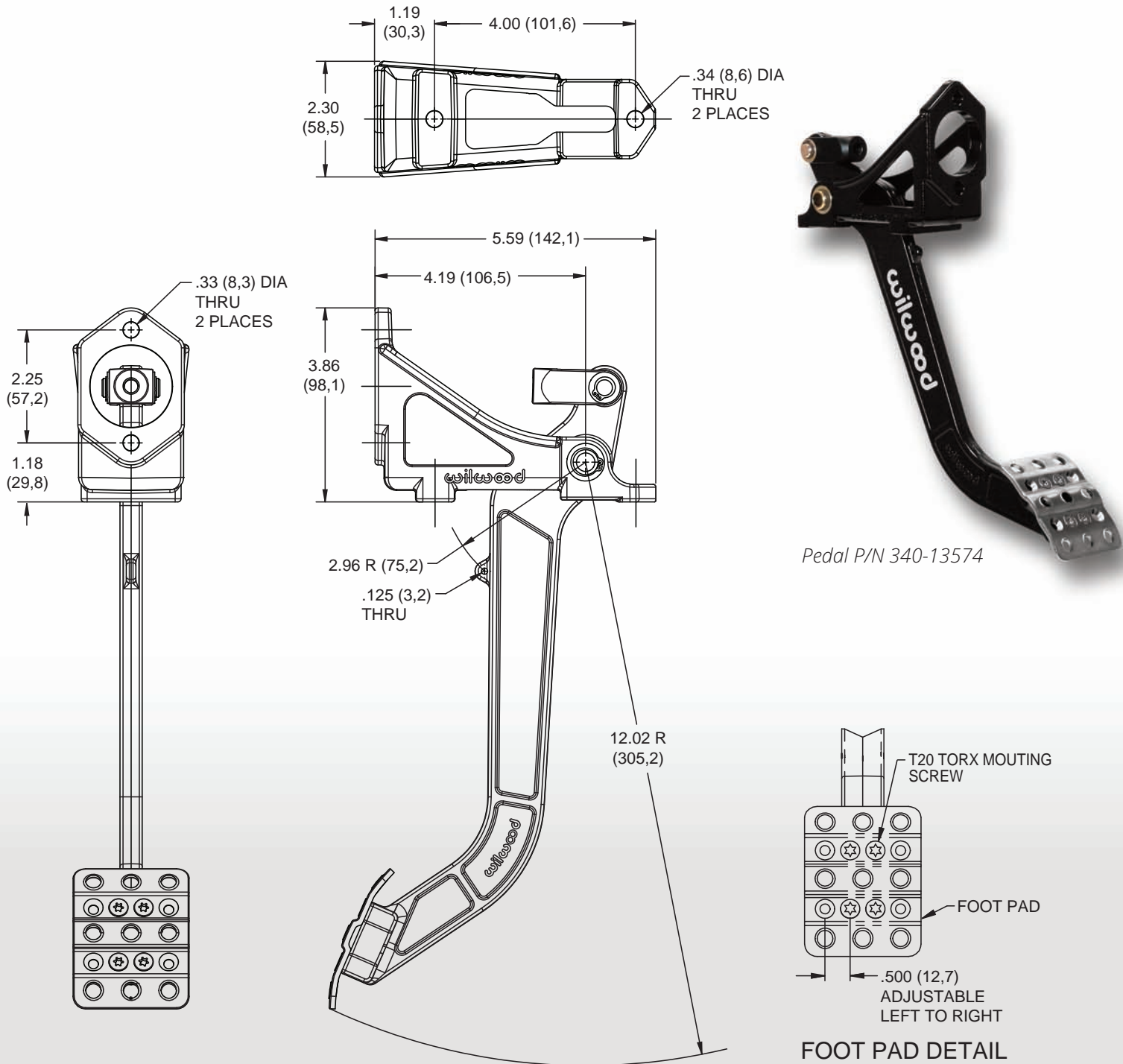


*Pedal P/N 340-13574
shown with optional
master cylinders*



Pedal Features

- High leverage 6:1 pedal ratio
- Forged I-Beam arm design with integral return spring boss
- Lightweight at only 1.70 pounds
- Laterally adjustable stainless steel non-slip waffled foot pad
- Forged aluminum pushrod clevis
- Black e-coat protective finish
- Accepts all master cylinder styles



Brake Pedal 340-13574 Dimensional Characteristics

ORDERING INFORMATION:

PART NUMBER	DESCRIPTION
340-13574	Reverse Swing Single Cylinder Mount Pedal Assembly, 6:1 Pedal Ratio