

Billet Aluminum Master Cylinder Fluid Reservoirs

Fluid Reservoir Highlights:

- Stylish and durable 4 ounce reservoirs are manufactured from billet aluminum.
- Reservoir can be direct mounted to Wilwood's Compact Remote Master Cylinder body utilizing the internally threaded reservoir support with the 11/16-20 thread adapter.
- Remote mount the reservoir using the mounting bracket and 3/8-24 thread -3 AN fluid connector.
- Stainless steel flexlines in various lengths are available separately for remote mounting.
- If replacing the stock master cylinder, additional brake line plumbing may be required.



Billet Fluid Reservoir Kit, P/N 260-12697

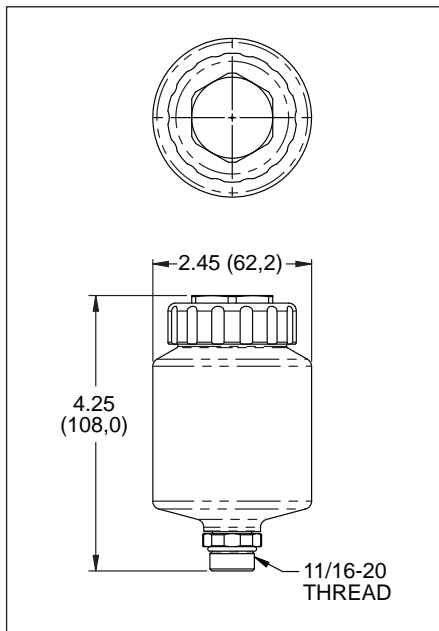


Figure 1. Direct Mount Fluid Reservoir, Physical Characteristics
Part Number **260-12696**

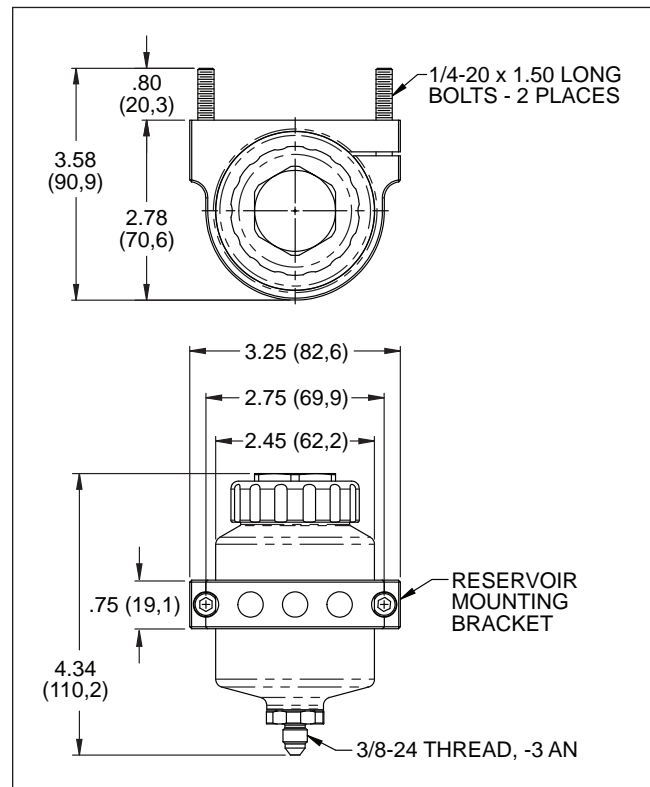


Figure 2. Remote Mount Fluid Reservoir, Physical Characteristics
Part Number **260-12697**



Shown Direct Mounted to Flange Mount M/C

RESERVOIR ORDERING INFORMATION:

<u>PART NUMBER</u>	<u>DESCRIPTION</u>
260-12696	Direct Mount 4 Ounce Billet Aluminum Master Cylinder Fluid Reservoir with 11/16-20 Thread Adapter
260-12697	Remote Mount 4 Ounce Billet Aluminum Fluid Reservoir with Mounting Bracket and 3/8-24 Thread -3 AN Fluid Connector.

FLEXLINE ORDERING INFORMATION:

<u>PART NUMBER</u>	<u>DESCRIPTION</u>
220-12992	6.00 Inch Long -3 AN Stainless Steel Braided Flexline with -3 to 11/16-20 Remote Inlet Adapter
220-12993	8.00 Inch Long -3 AN Stainless Steel Braided Flexline with -3 to 11/16-20 Remote Inlet Adapter
220-13004	10.00 Inch Long -3 AN Stainless Steel Braided Flexline with -3 to 11/16-20 Remote Inlet Adapter
220-13005	12.00 Inch Long -3 AN Stainless Steel Braided Flexline with -3 to 11/16-20 Remote Inlet Adapter

ACCESSORY ORDERING INFORMATION:

<u>PART NUMBER</u>	<u>DESCRIPTION</u>
260-1874	2 PSI Residual Pressure Valve
260-1876	10 PSI Residual Pressure Valve
290-0632	Wilwood Hi-Temp ^o 570 DOT 3 Brake Fluid
290-6209	Wilwood EXP 600 Plus Super Hi-Temp DOT 4 Brake Fluid
290-11084	Wilwood "Five" DOT 5 Silicone Brake Fluid
220-13130	11/16-20 to -3AN Master Cylinder to -3AN
220-12942	9/16-18 to AN #3 Adapter Fitting with o-ring - Aluminum Reservoir to -3AN
220-12943	11/16-20 to SAE #6 Adapter Fitting with o-rings - Aluminum Reservoir to Master Cylinder
340-11295	Pedal Assembly, Forward Mount, 6.25:1, Adjustable, Triple Master Cylinder
340-11299	Pedal Assembly, Rear Mount, 6.25:1, Adjustable, Triple Master Cylinder

COMPACT REMOTE MASTER CYLINDER ORDERING INFORMATION:

<u>BORE SIZE</u>	<u>FLANGE MOUNT P/N</u>	<u>SIDE MOUNT P/N</u>
5/8" Bore	260-10281	260-12378
3/4" Bore	260-10282	260-12379
13/16" Bore	260-10283	260-12380
7/8" Bore	260-10278	260-12381
1" Bore	260-10279	260-12382
1-1/8" Bore	260-10280	260-12383