

# DYNAPRO 6 FRONT BRAKE KIT FOR 1979-1981 CAMARO / FIREBIRD

### Models Covered:

- 1979 - 1981 Chevrolet Camaro / Pontiac Firebird

### Kit Features:

- Six piston calipers and 12.19" discs provide an aggressive look with high end stopping power in most 16" and 17" wheels.
- Configured for custom street cars that also enjoy time at the strip or the occasional trip around the parking lot cones and track day fun events.
- Installs on OE disc brake front spindles with minimal modification.
- Compatible with power and manual brake application systems.

### Component Features:

#### DynaPro 6 Forged Billet Lug Mount Calipers

- Fully detail machined forged billet DP6 calipers provide positive, big brake stopping power with a substantial weight reduction over the OE cast iron calipers, and more than a 14% increase in pad area and volume compared to standard Dynalite four piston models.
- Six differential bore stainless steel pistons generate big brake clamping power with balanced pad loading for even wear in all types of high demand braking applications.
- Stainless steel pistons resist corrosion while slowing the heat transfer rate from the pads to the caliper body.
- The internal piston seal-in-bore design adds proven durability with keeping the fluid in and dirt out without the need for external boot seals.
- Quick-E clip pad retention pins simplify pad service without the need for caliper removal.
- High temperature, fluid resistant, gloss black powder coat finish is standard. Optional gloss red powder coat and polished models are also available.

#### SRP or ULHP Series 12.19" Diameter Rotors

- Certified carbon iron alloy vented rotors provide a matched balance of durability, cooling efficiency and minimized weight.
- Base model kits include smooth faced, undrilled ULHP rotors for applications where rules may not allow drilling, and applications where maximum durability and thermal stability is preferred.
- Drilled rotor kits feature our signature SRP performance drilled and slotted rotors with a durable e-coat finish. E-coat seals the casting and prevents corrosion in all areas of the rotor not swept clean by the brake pads. This durable finish will maintain the high tech styling and appearance of the rotors inside your wheels for many miles down the road .

#### Forged Aluminum Hubs and Rotor Mounts

- Forged and fully machined billet aluminum hubs and rotor mount plates provide secure mounting of the larger 12.19" diameter rotors, with a substantial weight savings over the smaller diameter one-piece OE iron hub and rotor assemblies.
- Each hub kit includes high strength 1/2-20 grade 8 wheel studs with new wheel bearings, races, and grease seals to mount the hub and rotor assemblies to the OE spindle.

#### Wilwood BP-10 "Smart Pads"

- BP-10 metallic-composite compound "Smart Pads" run clean and quiet with improved friction, positive response, and higher fade resistance over all types of OE and street rated pad compounds.

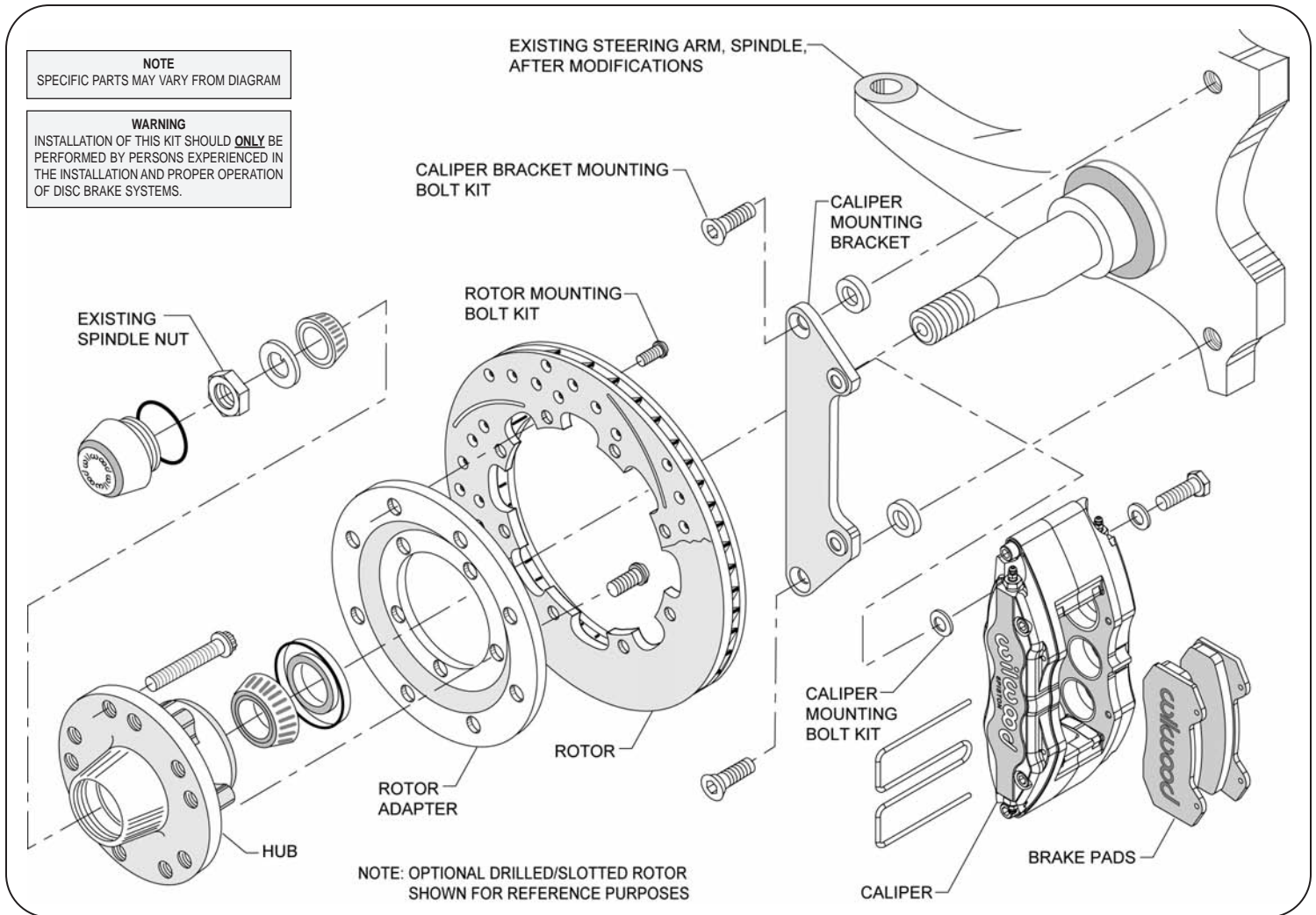
#### Hardware and Plumbing

- Caliper brackets, premium grade fasteners, and alignment shims are included in every kit.
- Stainless steel braided DOT approved flexline kit P/N 220-10509 is required to install this kit, and must be ordered separately.



**Front Kit with SRP Rotor and Red Caliper**

Download high resolution photo,  
[click here](#)



**Typical Installation Diagram**

**ORDERING INFORMATION:**

| <u>PART NUMBER</u> | <u>DESCRIPTION</u>   |
|--------------------|--|
| 140-12836          | Front Kit, Camaro / Firebird, DynaPro 6 Caliper, 12.19" ULHP Rotor                               |
| 140-12836-D        | Front Kit, Camaro / Firebird, DynaPro 6 Caliper, 12.19" SRP Drilled and Slotted Rotor            |
| 140-12836-DR       | Front Kit, Camaro / Firebird, DynaPro 6 Caliper, 12.19" SRP Drilled & Slotted Rotor, Red Caliper |
| 140-12836-R        | Front Kit, Camaro / Firebird, DynaPro 6 Caliper, 12.19" ULHP Rotor, Red Caliper                  |



Need additional information - fast? Utilizing your Smartphone, scan the image at the left to jump to our web site. This code takes you to our home page and social media sites where information is just a click away, [or click here.](#)