

# 1989-1998 NISSAN 240SX SUPERLITE BIG BRAKE FRONT HAT KIT

## Models Covered:

240SX, SE 5 lug	1995 - 1998
240SX with 5 lug hub upgrade	1989 - 1998

## Kit Features:

- Direct bolt-on installation for all 240SX SE 5 lug models from 1995-98
- Compatible with 5 lug hub upgrades on all 1989-98 4 lug models
- Designed for use with OE master cylinder output and ABS compatible
- Compliments suspension, wheel and tire upgrades with 17" or large wheels with minimum clearances illustrated on page 2

## Component Features:

### Forged Superlite Four Piston Calipers

- Forged billet four piston aluminum calipers replace the OE cast iron calipers to generate big clamping power at a substantial weight savings for use with the 13" discs.
- Four stainless steel pistons are volume matched to the OE master cylinder output. Stainless steel provides the ultimate corrosion resistance in harsh environments while reducing heat transfer from the pads. Seal and fluid life is extended while thermal distortion in the caliper body and piston bores is measurably reduced.
- Based on proven competition designs, the superior metallurgical characteristics of the billet alloy combined with the optimum internal grain structure achieved from the forging process, gives the FSL caliper the highest degree of resistance against structural deflection and body separation available from an aluminum caliper. The results are firm, confident response from the pedal under high load when used in conjunction with power brake boosters.
- Spring loaded SRS bridge wear plates reduce noise by damping engagement harmonics and stopping pad rattle. Bridge wear from gouging at the pad trailing edge is also eliminated.
- Center bridge bolts provide added strength against deflection under load and secure retention of the brake pads. The top loaded pads can be easily accessed for service without the need to dismount the caliper.

### SRP or GT Series 13" Diameter Directional Vane Rotors

- 13" diameter provides increased stopping leverage over smaller OE production rotors.
- 48 vane directional design is precision cast from premium grade, long grain carbon iron to provide high cooling efficiency and resistance to thermal distortion and fatigue.
- SRP Series rotors are e-coated to resist corrosion and feature an engineered directional drill and slot pattern for an aggressive high tech appearance inside the wheel. The holes and slots enhance pad performance by reducing pad glazing and dispersing the gasses and some of the heat generated during braking.
- GT Series rotors are competition prepared with asymmetrical face slotting, full detail machining, and individual dynamic balancing. This non-drilled version uses the additional mass to deliver improved stability in sustained high temperature applications.

### Forged Aluminum Rotor Mounting Hats

- Premium grade alloy forged aluminum hats are lightweight and provide sturdy mounting of the vented iron rotors over the OE hub assembly.
- High luster black anodized finish resists corrosion and enhances the custom appearance inside the wheel.

### Wilwood BP-10 "Smart Pads"

- BP-10 compound "Smart Pads" are a remarkable new metallic composite formula that combines the quiet, low dust operation of a high performance street pad with the increased friction and higher fade resistance of a medium range, racing compound.

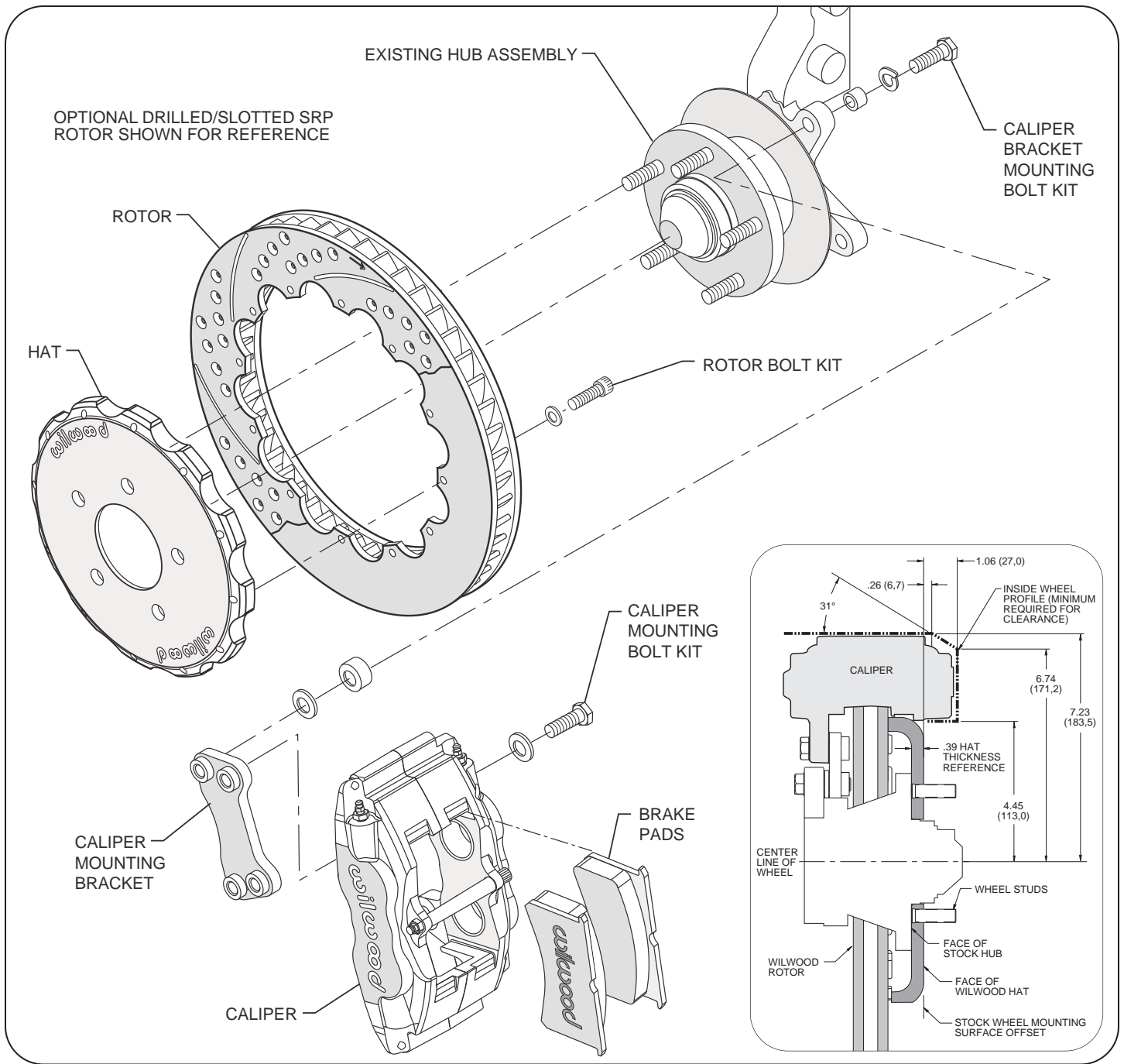
### Mounting Hardware and Plumbing

- Machined billet brackets, with steel threaded inserts, provide sturdy caliper mounting to the OE mounting bosses. All necessary high strength fasteners, washers, and alignment shims are included with each kit.
- Optional flex line kits include stainless steel reinforced hoses with machine crimped ends and the fittings necessary to connect the calipers to the OE brake line fitting at the chassis. Flex line kits must be ordered separately.



**240SX Big Brake Front Kit  
with SRP Rotor**

Please check the diagram on the back of this page for minimum inside wheel clearance requirements



Typical Installation Diagram, Major Components Identified. Minimum Wheel Fit Dimensions Shown Inset

**ORDERING INFORMATION: BRAKE AND FLEX LINE KITS:**

MAKE / MODEL	YEAR	KIT PART NUMBERS		
		GT ROTOR KIT	SRP ROTOR KIT	FLEX LINE KITS
Nissan 240SX with 5 Lug Hubs	1989 - 1998	140-9194	140-9194-D	220-9199

**ORDERING INFORMATION: USER SERVICEABLE COMPONENTS, PART NUMBER:**

KIT NUMBER	CALIPER	PAD SET	ROTOR	HAT	ROTOR BOLT KIT	MOUNT BRACKET	CALIPER MOUNT BOLT KIT
140-9194	120-7432-R/L	150-8855K	160-6833/34	170-9294	230-4572	250-9295	230-9433
140-9194-D	120-7432-R/L	150-8855K	160-6835/36	170-9294	230-4572	250-9295	230-9433