



FORD MUSTANG • 2015-PRESENT REAR AEROLITE 4R/MC4 14" BRAKE KITS

Aerolite 4R/MC4 Rear Brake kits for the 2015 Ford Mustang combine the track proven endurance and high-tech styling of the Aerolite 4R caliper with an integrated MC4 caliper parking brake and cable system.

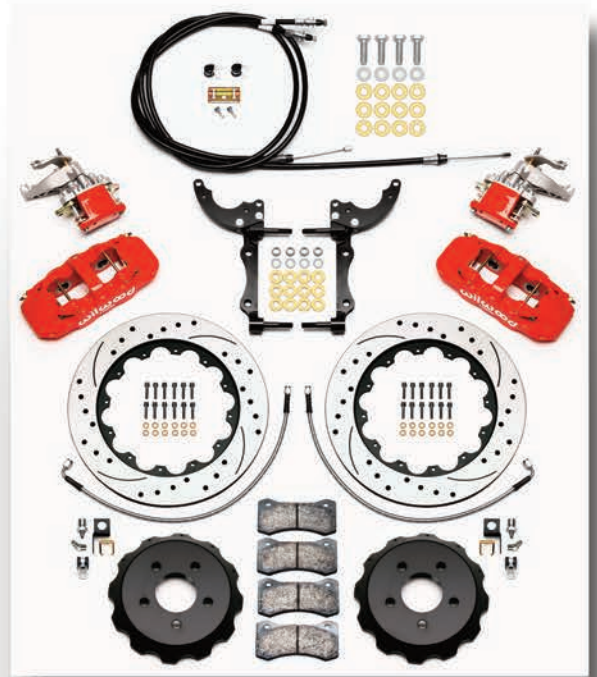
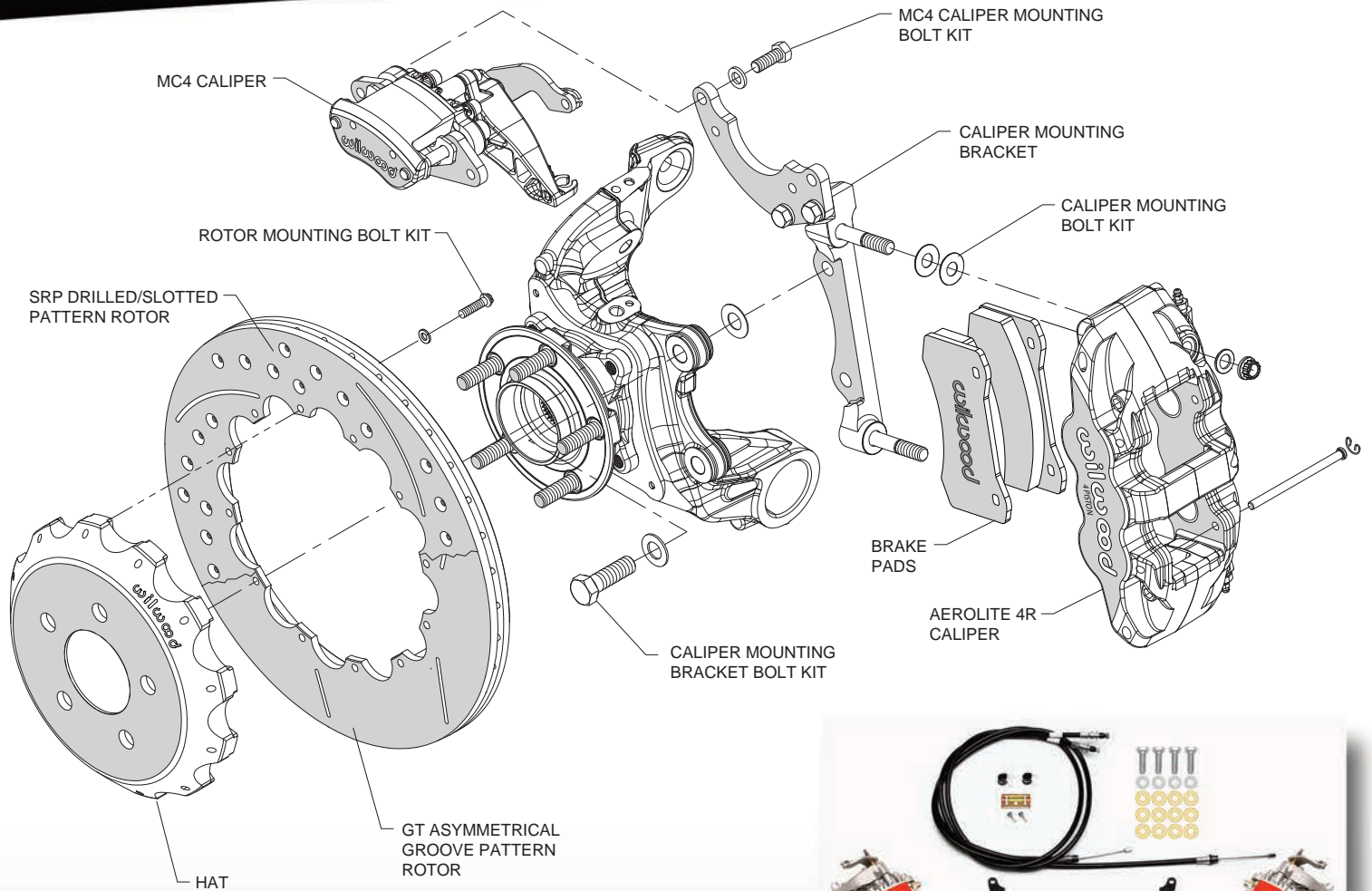


Kit Features



- Aerolite four piston radial mount forged aluminum calipers with MC4 parking brake system
- Choice of GT or SRP directional vane 14.00" **Spec37** alloy rotors ⁽¹⁾
- High response, fade resistant BP-10 compound **SmartPads**
- Stainless steel pistons with internal bore seals matched to OE master cylinder output
- Retains all ABS functions
- Stainless steel braided DOT compliant flexlines and park brake cable kits included
- Calipers available in gloss red and black powder coat finish
- Thermlock® pistons and race compound pads available for dedicated track vehicles
- Fully bolt-on installation with all parts included

(1) Wilwood always recommends checking www.wilwood.com for complete year/make/model application data and specific wheel clearance requirements



PLEASE CHECK: WILWOOD ALWAYS RECOMMENDS CHECKING www.wilwood.com FOR COMPLETE YEAR/MAKE/MODEL APPLICATION DATA AND SPECIFIC WHEEL CLEARANCE REQUIREMENTS.

ORDERING INFORMATION: Complete Rear Brake Kits for 2015-Present Ford Mustang

PART NUMBER	DESCRIPTION	CALIPER FINISH
140-13888	Aerolite 4R with MC4 Parking Brake Calipers, 14.00" Spec37 GT Competition Series Rotors	Black Powder Coat
140-13888-D	Aerolite 4R with MC4 Parking Brake Calipers, 14.00" Spec37 SRP Drilled and Slotted Rotors	Black Powder Coat
140-13888-R	Aerolite 4R with MC4 Parking Brake Calipers, 14.00" Spec37 GT Competition Series Rotors	Red Powder Coat
140-13888-DR	Aerolite 4R with MC4 Parking Brake Calipers, 14.00" Spec37 SRP Drilled and Slotted Rotors	Red Powder Coat