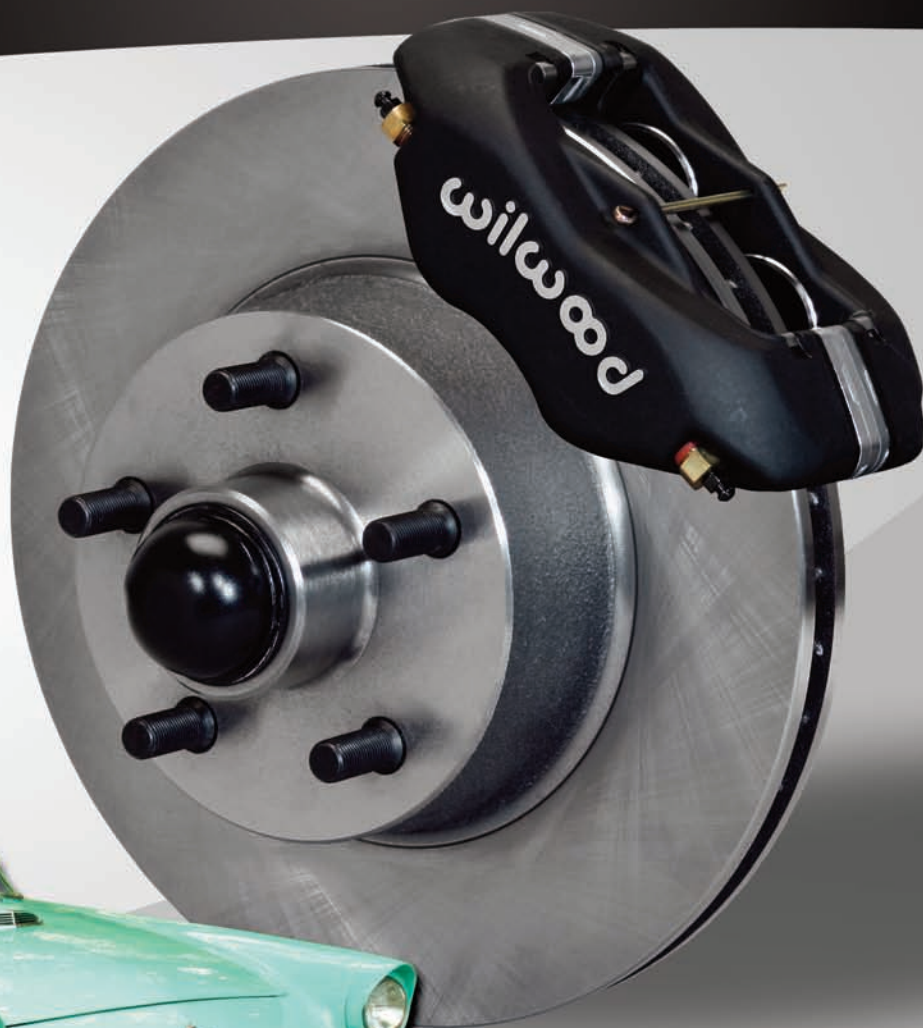




FORD THUNDERBIRD • 1955-1957 DYNALITE CLASSIC FRONT DISC BRAKE KIT

Forged Dynalite Classic front brake kits combine time proven technology with contemporary styling to deliver modern brake performance to your classic era Ford Thunderbird in an affordable bolt-on kit. ⁽¹⁾



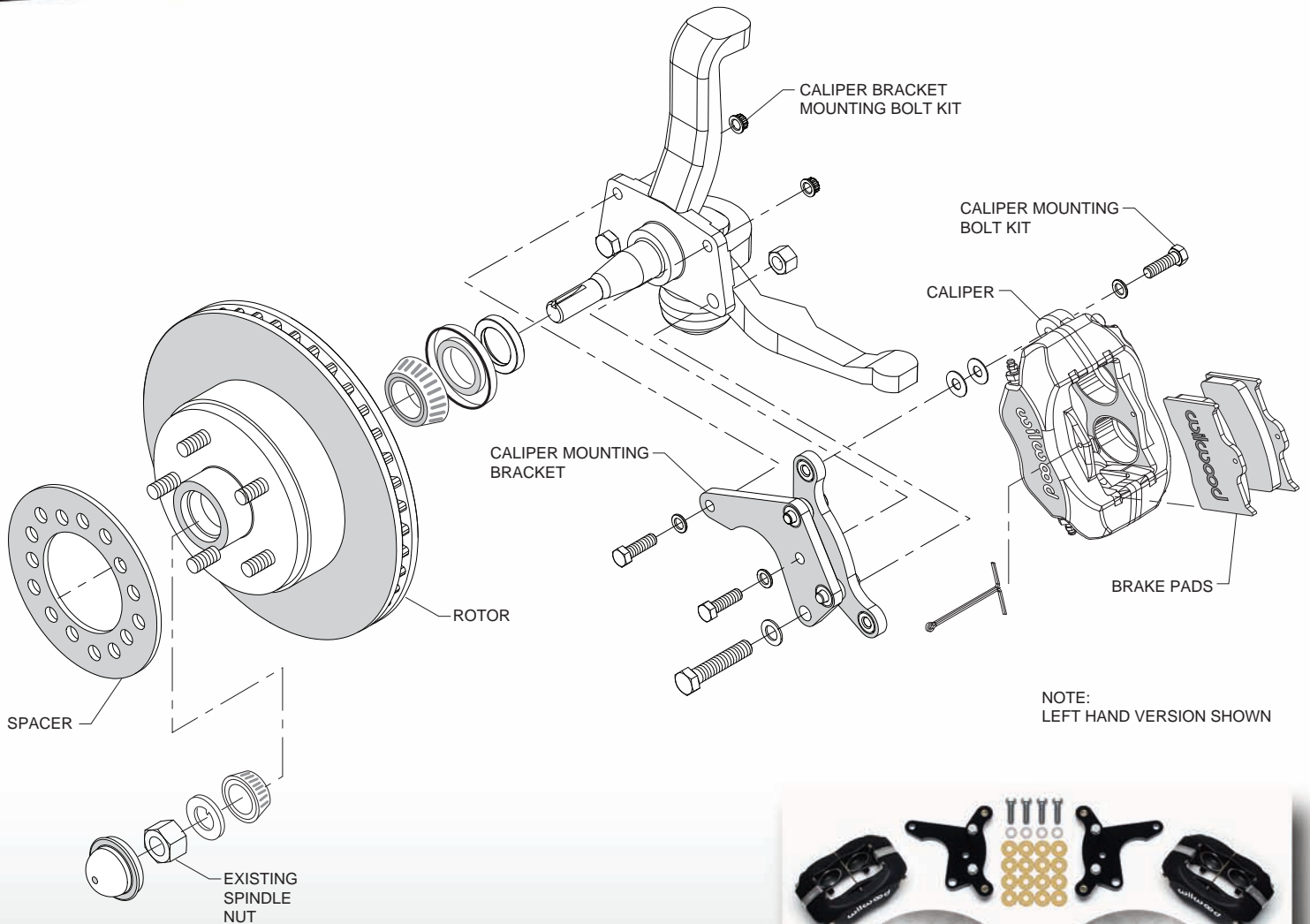
Kit Features



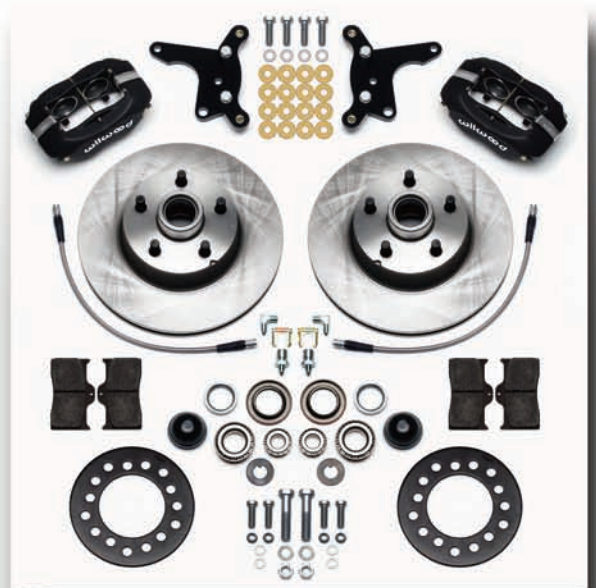
- Forged Dynalite four piston aluminum calipers in durable black anodized finish
- 11.00" x .88" vented iron HP smooth face 1-piece integrated hub and rotor
- BP-10 compound composite metallic *SmartPads*
- Fits all original equipment drum brake spindles
- Fits most 14" style wheels⁽¹⁾
- Works with manual or power brakes
- DOT approved stainless steel braided flexlines are included
- Complete with brackets, hardware, & detailed installation instructions

(1) Go to www.wilwood.com for complete year/make/model application data and specific wheel clearance requirements

T-Bird photo, WikiCommons: Nminow



NOTE:
LEFT HAND VERSION SHOWN



PLEASE CHECK: WILWOOD ALWAYS RECOMMENDS CHECKING www.wilwood.com FOR COMPLETE YEAR/MAKE/MODEL APPLICATION DATA AND SPECIFIC WHEEL CLEARANCE REQUIREMENTS.

ORDERING INFORMATION:

PART NUMBER	DESCRIPTION
140-12922	Dynalite Classic Front Kit, Black Anodized Calipers, HP 1-Piece Plain Face Rotors, BP-10 SmartPads