

## Aluminum Tandem Chamber Master Cylinder

Wilwood tandem chamber master cylinders represent the latest refinements in brake pressure actuation and fluid control. The exclusive Wilwood features incorporated in this innovative and unique new design make it the perfect choice for a wide range of custom manual or power brake applications.

High-pressure die casting of a premium alloy produces a high-capacity body that is lightweight, looks great, and has the durability for competition. A black anodized, machined billet lid captures a pressure balanced bellows gasket with 100% sealing against moisture invasion or fluid leakage. The mounting flange is slotted to accommodate installation on bolt centers between 3.22" and 3.40". That makes it a simple bolt-on to many OE mounts including the popular Chrysler, Corvette, GM, and Ford Mustang master cylinder bolt patterns. The body also features two through-hole mounts on 6.40" centers for side mounting to frame members or other secure elements of the chassis.

Each master cylinder is configured with full separation between the front and rear reservoir chambers and fluid outlets. There is pressure access on both sides of the piston bore for right or left hand plumbing based on mount location. A total piston stroke of 1.10" is distributed at a 2:1 volume ratio between the primary and secondary chambers. A choice of either 7/8", 1" or 1-1/8" bore sizes provides the necessary options to match the volume and pressure requirements of nearly any application. And for those wanting a show car look, a bright finish, media burnished version is available and guaranteed to catch the eye of the most discriminating enthusiasts.

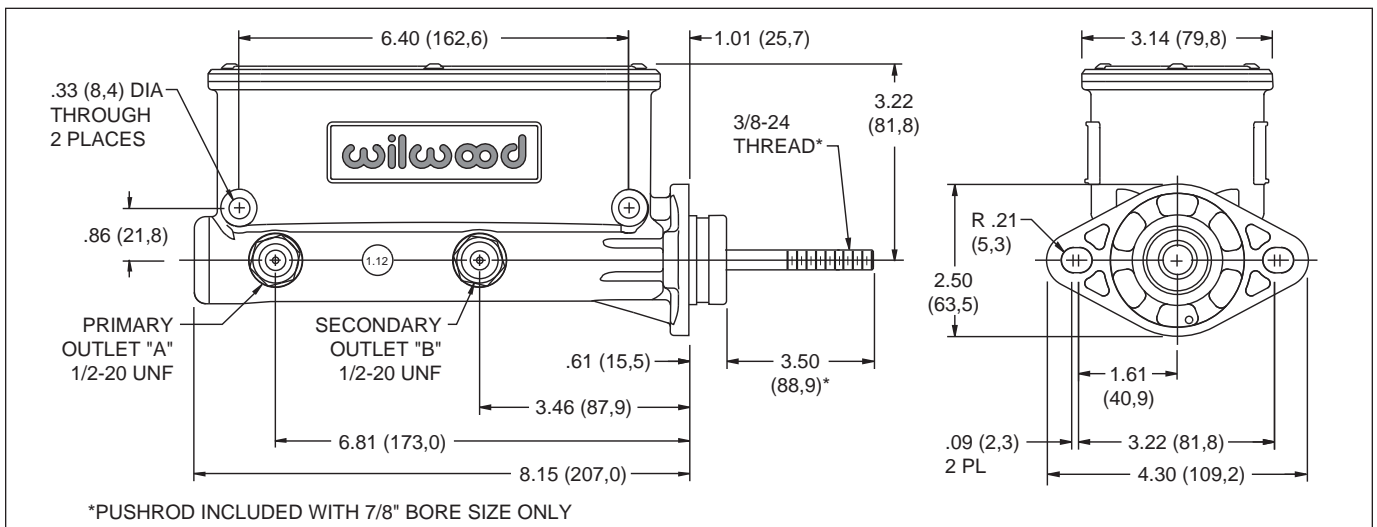


Bright Finish Shown

**Aluminum Tandem Chamber Master Cylinder  
Pushrod (not shown) Included with 7/8" Bore Size Only**

Download a high resolution photo  
[click here](#)

NOTE: Fabrication or modification of the pedal pushrod may be required on the 1" or 1-1/8" bore size to adapt this master cylinder to some applications. Installation should only be performed by persons with experience in the safe and proper operation of disc brake systems.



**Wilwood Dual Outlet Aluminum Tandem Chamber Master Cylinder, Mounting Dimensions**

### ORDERING INFORMATION:

<u>7/8" Bore M/C</u>	<u>PART NO.</u>	<u>1" Bore M/C</u>	<u>PART NO.</u>	<u>1-1/8" Bore M/C</u>	<u>PART NO.</u>
Standard Finish	260-9439	Standard Finish	260-8555	Standard Finish	260-8556
Bright Finish	260-9439-P	Bright Finish	260-8555-P	Bright Finish	260-8556-P
Black E-Coat	260-9439-BK	Black E-Coat	260-8555-BK	Black E-Coat	260-8556-BK