

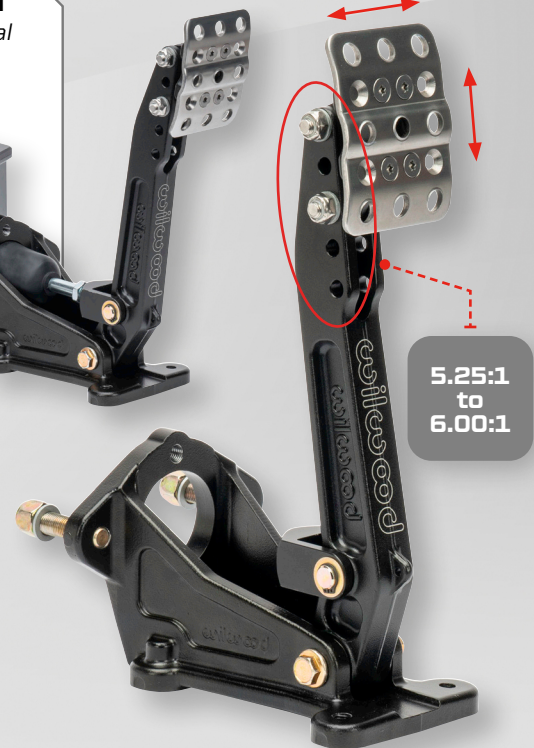
SINGLE PEDAL ASSEMBLY FOR TANDEM M/C APPLICATIONS

Wilwood engineered new pedal assembly bases to accommodate the popular Tandem Master Cylinder lineup for both floor or swing mount applications.

Pedal kits include all necessary hardware for mounting most master cylinders. May also be used for clutch actuation systems.

Adjustable Foot Pad
Foot pad adjusts horizontally 1" for driver preference

Floor Mount Pedal
Shown with optional Compact Tandem Master Cylinder



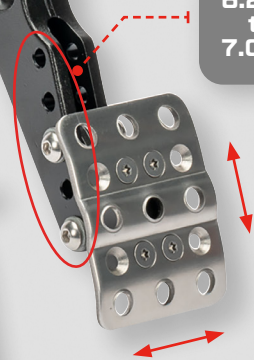
5.25:1 to 6.00:1

Swing Mount Pedal
P/N: 340-17699

Adjustable Pedal Ratio
Three positions to adjust pedal ratio for fine-tuning pedal feel and performance

6.25:1 to 7.00:1

Swing Mount Pedal
Shown with optional Compact Tandem Master Cylinder



Adjustable Foot Pad
Foot pad adjusts horizontally 1" for driver preference

Floor Mount Pedal
P/N: 340-17698

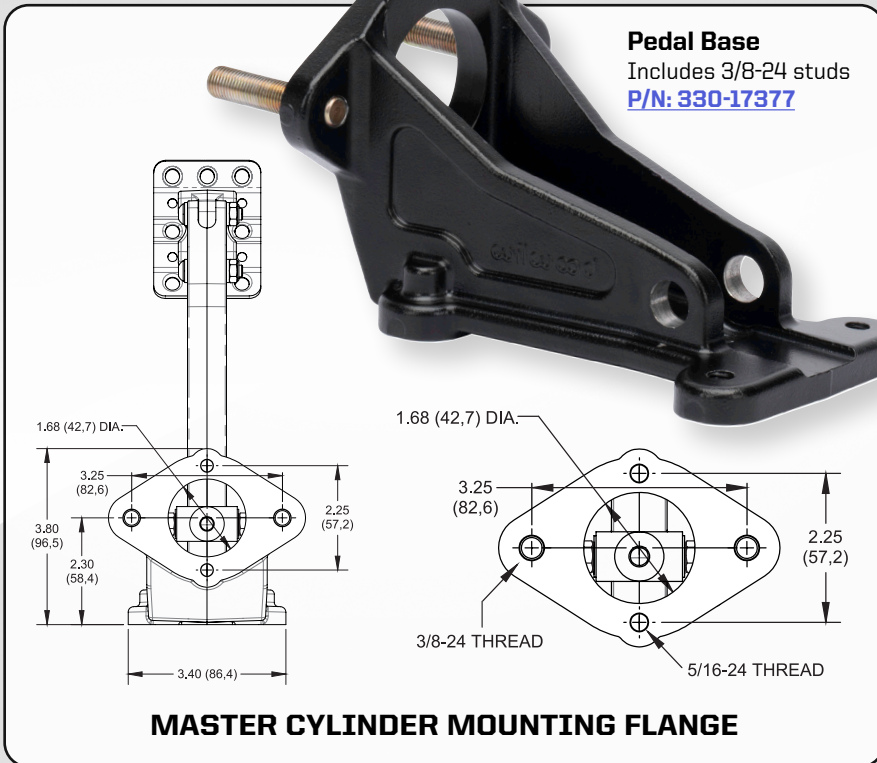
KEY FEATURES:

- Easily mounts tandem circuit master cylinders
- High strength, lightweight forged aluminum arms
- Adjustable stainless steel foot pads
- Adjustable pedal ratio to three positions
- Easy mounting base for floor or hanging mount
- Keeps master cylinders away from heat sources
- Durable black E-coat finish
- May also be used for single M/C with vertical mount, including clutch applications
- Mounting base unit available separately to adapt to other Wilwood pedals



SINGLE PEDAL ASSEMBLY FOR TANDEM M/C APPLICATIONS

ACCESSORIES:

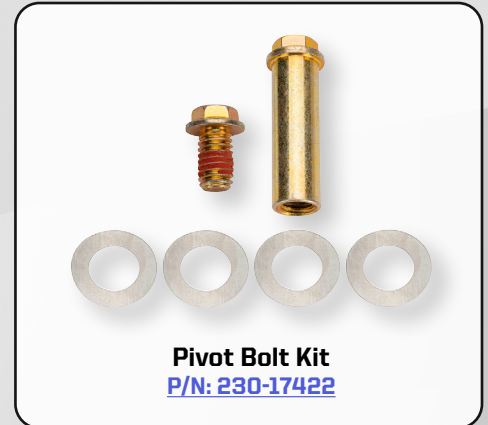


Pedal Base
Includes 3/8-24 studs
[P/N: 330-17377](#)

MASTER CYLINDER MOUNTING FLANGE

Technical drawings for the Master Cylinder Mounting Flange showing dimensions:

- 1.68 (42,7) DIA. (top hole)
- 3.25 (82,6) (width between top holes)
- 3.80 (96,5) (total height)
- 2.30 (58,4) (height to center of bottom hole)
- 3.40 (86,4) (width)
- 2.25 (57,2) (height to center of top hole)
- 1.68 (42,7) DIA. (bottom hole)
- 3.25 (82,6) (width between bottom holes)
- 3/8-24 THREAD (left hole)
- 5/16-24 THREAD (right hole)



Pivot Bolt Kit
[P/N: 230-17422](#)



Brake Pedal Pad Kit
[P/N: 330-14505](#)



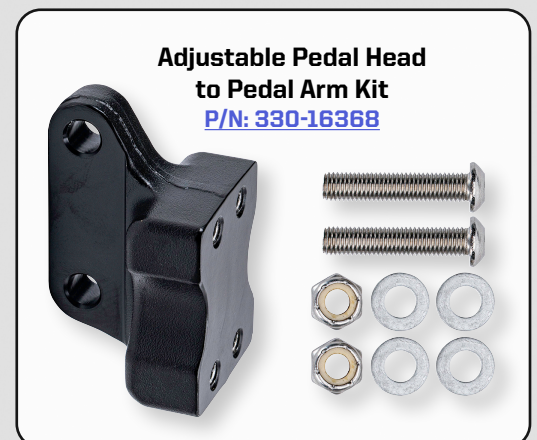
Brake Pedal Cover
[P/N: 330-15726](#)



**Brake Pedal Cover
with Trim Plate**
[P/N: 330-15866](#)



**Brake Pedal Cover
Trim Plate**
[P/N: 330-15727](#)



**Adjustable Pedal Head
to Pedal Arm Kit**
[P/N: 330-16368](#)