

### Front Big Brake Kit for 1969-89 Porsche 911 310mm (12.19") Rotor & SUPERLITE

Wilwood engineered these big brake kits around motorsports-proven **Superlite** calipers for the classic 1969-89 Porsche 911. Larger 310mm (12.19") iron alloy rotors with forged aluminum mounting hats and Wilwood brackets produce greater brake torque and less fade, while weighing substantially less than OE.

These rigid, forged billet aluminum four piston calipers upgrade the stock 911 to a spec similar to the 1974 RS or 930 turbo, with the added advantage of decades of material, design, and manufacturing advancements. Kits are available for both 3.0" (76,2mm) and 3.5" (88,9mm) mounting tabs.

#### KIT FEATURES:

- Superlite front calipers have been proven in countless road race, circle track, and off-road competition classes, evolved over decades and refined through millions of laps
- Direct bolt-on upgrade for 1969-89 Porsche 911 with no permanent modifications
- Designed to work with OEM master cylinders and rear brakes to maintain proper front to rear brake bias

#### CALIPERS: SUPERLITE FNLS4R

- Stress-flow forged aluminum calipers with stainless steel pistons for strength and durability
- Offered in gloss Le Mans yellow, black or red powder coat, over durable wear-resistant Type-III hard anodized coating

#### ROTORS: PLAIN OR SRP DRILLED & SLOTTED

- Big 310mm (12.19") x 28mm (1.10") vented rotors for greater brake torque and more thermal capacity (28mm/1.10" larger than OE)
- Precision-machined, low-distortion proprietary iron alloy rotors with 32 cooling vanes, mounted to forged aluminum hats
- Rotors offered with GT slotted, or SRP drilled and slotted faces

#### BRAKE PADS: BP-10

- High-performance street **BP-10** brake pads with many other friction compounds available

#### INSTALLATION PARTS:

- Kits include brackets, stainless Flexlines, fittings, and hardware
- Part numbers available to fit 3.0" (76,2mm) and 3.5" (88,9mm) spaced front strut mounting tabs



**SUPERLITE  
BIG BRAKE KIT**

P/N: [140-16937-Y](#) 3.0" (76,2mm) Mount Tabs  
P/N: [140-16947-Y](#) 3.5" (88,9mm) Mount Tabs



**SUPERLITE  
BIG BRAKE KIT**

P/N: [140-16937-DR](#) 3.0" (76,2mm) Mount Tabs  
P/N: [140-16947-DR](#) 3.5" (88,9mm) Mount Tabs

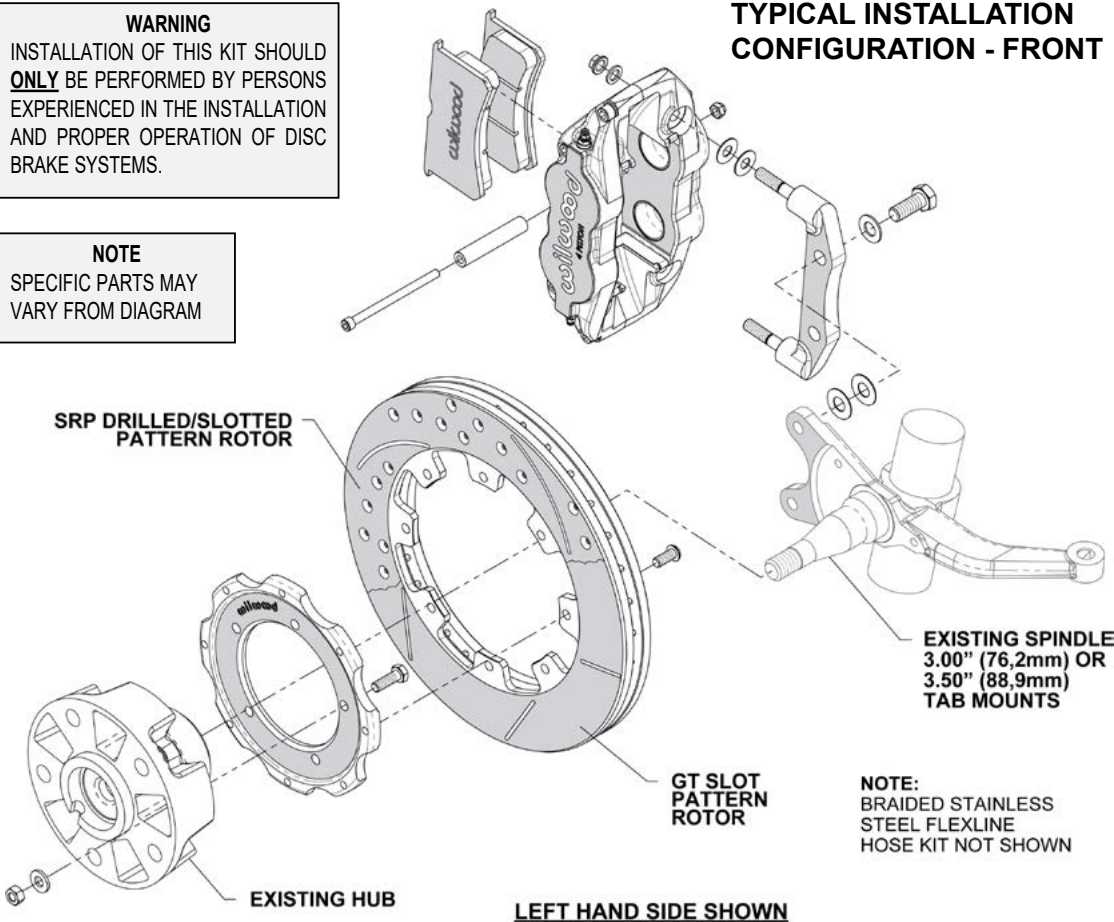


# Front Big Brake Kit for 1969-89 Porsche 911 310mm (12.19") Rotor & SUPERLITE

**WARNING**  
INSTALLATION OF THIS KIT SHOULD **ONLY** BE PERFORMED BY PERSONS EXPERIENCED IN THE INSTALLATION AND PROPER OPERATION OF DISC BRAKE SYSTEMS.

**NOTE**  
SPECIFIC PARTS MAY VARY FROM DIAGRAM

### TYPICAL INSTALLATION CONFIGURATION - FRONT



GT Slotted Rotors



SRP Drilled & Slotted Rotors

ORDERING INFO: PH: 805.388.1188 • FAX: 805.388.4938 • [wilwood.com](http://wilwood.com) • [info@wilwood.com](mailto:info@wilwood.com)

CALIPER COLOR			DESCRIPTION / YEAR	TAB MOUNT	ROTOR	ROTOR TYPE
BLACK	RED	Le Mans YELLOW				
<a href="#">140-16937</a>	<a href="#">140-16937-R</a>	<a href="#">140-16937-Y</a>	Front Superlite Big Kit '69-74	3.00" (76,2mm)	12.19" x 1.10" (310mm x 28mm)	GT Slotted Face
<a href="#">140-16937-D</a>	<a href="#">140-16937-DR</a>	<a href="#">140-16937-DY</a>	Front Superlite Big Kit '69-74	3.00" (76,2mm)	12.19" x 1.10" (310mm x 28mm)	SRP Drilled/Slotted
<a href="#">140-16947</a>	<a href="#">140-16947-R</a>	<a href="#">140-16947-Y</a>	Front Superlite Big Kit '69-89	3.50" (88,9mm)	12.19" x 1.10" (310mm x 28mm)	GT Slotted Face
<a href="#">140-16947-D</a>	<a href="#">140-16947-DR</a>	<a href="#">140-16947-DY</a>	Front Superlite Big Kit '69-89	3.50" (88,9mm)	12.19" x 1.10" (310mm x 28mm)	SRP Drilled/Slotted