

SUPERLITE Front Brake Kits for Classic 1969-89 Porsche 911 Using OE Hubs



Wilwood's motorsports-proven **Superlite** four piston calipers provide the foundation for a complete brake kit package for classic 1969-89 Porsche 911s using OE hubs. Complete brake kits include brackets for bolt-on mounting to struts with 3.5" (88,9mm) mounting tabs, rotors, stainless steel Flexlines, and brake pads.

Caliper-only kits include brackets for 3.5" (88,9mm) mounting tabs, Flexlines, and brake pads.

**Brake kits fit
FUCHS 15" wheels**



ROTORS: PLAIN or SRP DRILLED

- Vented rotors in plain face, or SRP drilled and slotted with black E-coat applied for OE hubs
- 11.10" x .80" (282 x 20mm), or 11.10" x .95" (282 x 24mm)

CALIPERS: SUPERLITE FNLS4R

- Rigid, forged aluminum radial mount four piston calipers
- Central stiffening bridge bolt is removable for easier pad changes
- One-piece stainless steel pistons slow heat transfer and resist corrosion
- Calipers are finished in gloss Le Mans yellow, black or red powder coat, over durable wear-resistant Type-III hard anodized coating

BRAKE PADS: BP-10

- BP-10 street performance pads (other compounds available)

INSTALLATION PARTS:

- Caliper brackets, stainless steel Flexlines, and all premium-grade hardware for installation are included

KIT FEATURES:

- Calipers continuously refined through modern engineering and manufacturing methods, including FEA (Finite Element Analysis)
- Compatible with factory master cylinder

Superlite Front Complete Brake Kits

P/N: [140-16679](#) Plain or SRP Drilled Rotor, 11.10" x .80" (282x20mm)

P/N: [140-16681](#) Plain or SRP Drilled Rotor, 11.10" x .95" (282x24mm)

Caliper Kits For Use On Factory Rotors



Superlite Front Caliper Kits

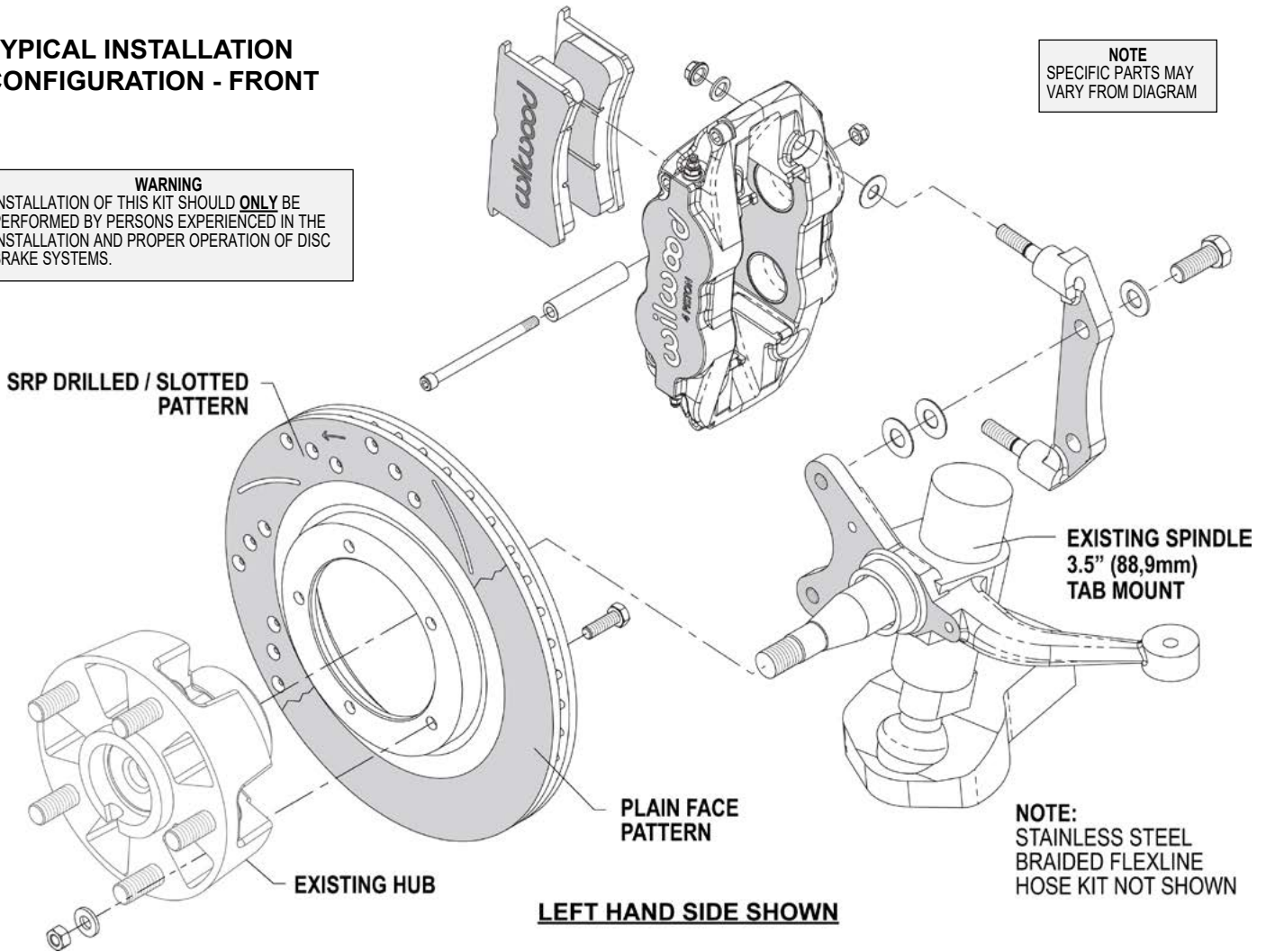
P/N: [140-16675](#) for 11.10" x .80" (282 x 20mm) OE Rotor

P/N: [140-16677](#) for 11.10" x .95" (282 x 24mm) OE Rotor

TYPICAL INSTALLATION CONFIGURATION - FRONT

WARNING
INSTALLATION OF THIS KIT SHOULD ONLY BE PERFORMED BY PERSONS EXPERIENCED IN THE INSTALLATION AND PROPER OPERATION OF DISC BRAKE SYSTEMS.

NOTE
SPECIFIC PARTS MAY VARY FROM DIAGRAM



LEFT HAND SIDE SHOWN

NOTE:
STAINLESS STEEL BRAIDED FLEXLINE HOSE KIT NOT SHOWN

ORDERING INFO: PH: 805.388.1188 • FAX: 805.388.4938 • wilwood.com • info@wilwood.com

FULL BRAKE KITS

BLACK	RED	Le Mans YELLOW	DESCRIPTION / YEAR	TAB MOUNT	ROTOR SIZE	ROTOR TYPE
140-16679	140-16679-R	140-16679-Y	Superlite Front Kit, 1969-83	3.5" (88,9mm)	11.10" x .80" (282mm x 20mm)	Plain Face
140-16679-D	140-16679-DR	140-16679-DY	Superlite Front Kit, 1969-83	3.5" (88,9mm)	11.10" x .80" (282mm x 20mm)	SRP Drilled/Slotted
140-16681	140-16681-R	140-16681-Y	Superlite Front Kit, 1984-89	3.5" (88,9mm)	11.10" x .95" (282mm x 24mm)	Plain Face
140-16681-D	140-16681-DR	140-16681-DY	Superlite Front Kit, 1984-89	3.5" (88,9mm)	11.10" x .95" (282mm x 24mm)	SRP Drilled/Slotted

CALIPER KITS For OE ROTORS

140-16675	140-16675-R	140-16675-Y	Superlite Front Kit, 1969-83	3.5" (88,9mm)	11.10" x .80" (282mm x 20mm)	N/A
140-16677	140-16677-R	140-16677-Y	Superlite Front Kit, 1984-89	3.5" (88,9mm)	11.10" x .95" (282mm x 24mm)	N/A