

**DISC BRAKES**  
**wilwood**

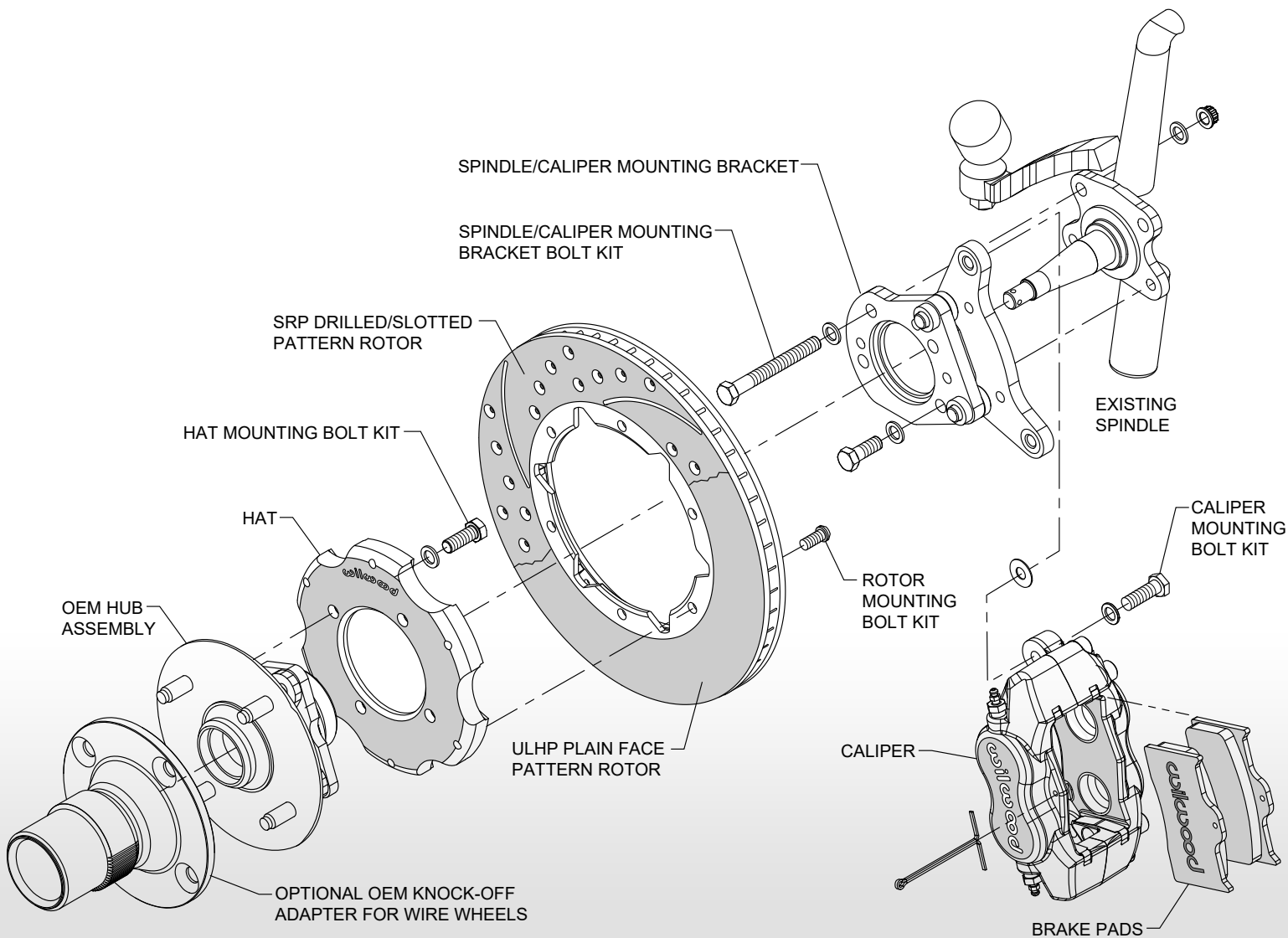
**TRIUMPH TR6**  
1969-1976  
**FORGED DYNALITE  
FRONT BRAKE KIT**

- Forged Dynalite Internal four piston calipers with stainless steel pistons
- Lightweight forged billet aluminum calipers weigh only 3.5 pounds
- Latest technological developments produce the strongest caliper in its class
- Oversized rotors with large 6.36 sq. in. BP-10 high-performance brake pads
- Choose 11.00" diameter Ultralite 30-vane plain face or SRP drilled and slotted rotors
- Black or red powder coat, or 22 additional caliper color options available
- All-inclusive kit features DOT approved stainless steel braided flexlines, mounting brackets, hardware and detailed instructions
- Piston volumes matched for full compatibility with OE master cylinder output
- Also fits 1965-1967 TR4A and 1968-1969 TR250



**24** COLOR  
OPTIONS  
AVAILABLE





### ORDERING INFORMATION: 1969 - 1976 Triumph TR6 Front Brake Kit

PART NUMBER	DESCRIPTION	CALIPER FINISH
140-15912	Dynalite FDLi Calipers, 11.00" ULHP-30 Vane Plain Face Rotors	Black Powder Coat
140-15912-D	Dynalite FDLi Calipers, 11.00" SRP Drilled and Slotted Rotors	Black Powder Coat
140-15912-DR	Dynalite FDLi Calipers, 11.00" SRP Drilled and Slotted Rotors	Red Powder Coat
140-15912-R	Dynalite FDLi Calipers, 11.00" ULHP-30 Vane Plain Face Rotors	Red Powder Coat