

- Five new complete brake kit combinations for the popular new style Big Ford / Torino bearing end axles with 2.50" offset

- Options with low-profile DynaPro, Dynalite, Superlite, and Aerolite four piston forged aluminum calipers

- SRP drilled and slotted, ULHP smooth face, or GT competition style rotors in sizes from 11.00" to 14.00" diameters

- Ultimate parking brake system for custom builds without cables or actuation levers

- Forged aluminum electric parking brake calipers with weather-resistant, high-torque motor

- Minimum of 2400-pound clamping force with no voltage or amperage draw after actuation

- Optional caliper colors and rotor styles

- Complete kits include calipers, pads, rotors, brackets, hardware, EPB control module, switch, harness and detailed installation instructions



DynaPro-LP with EPB caliper on 11.00" rotor



Electric Parking Brake Caliper



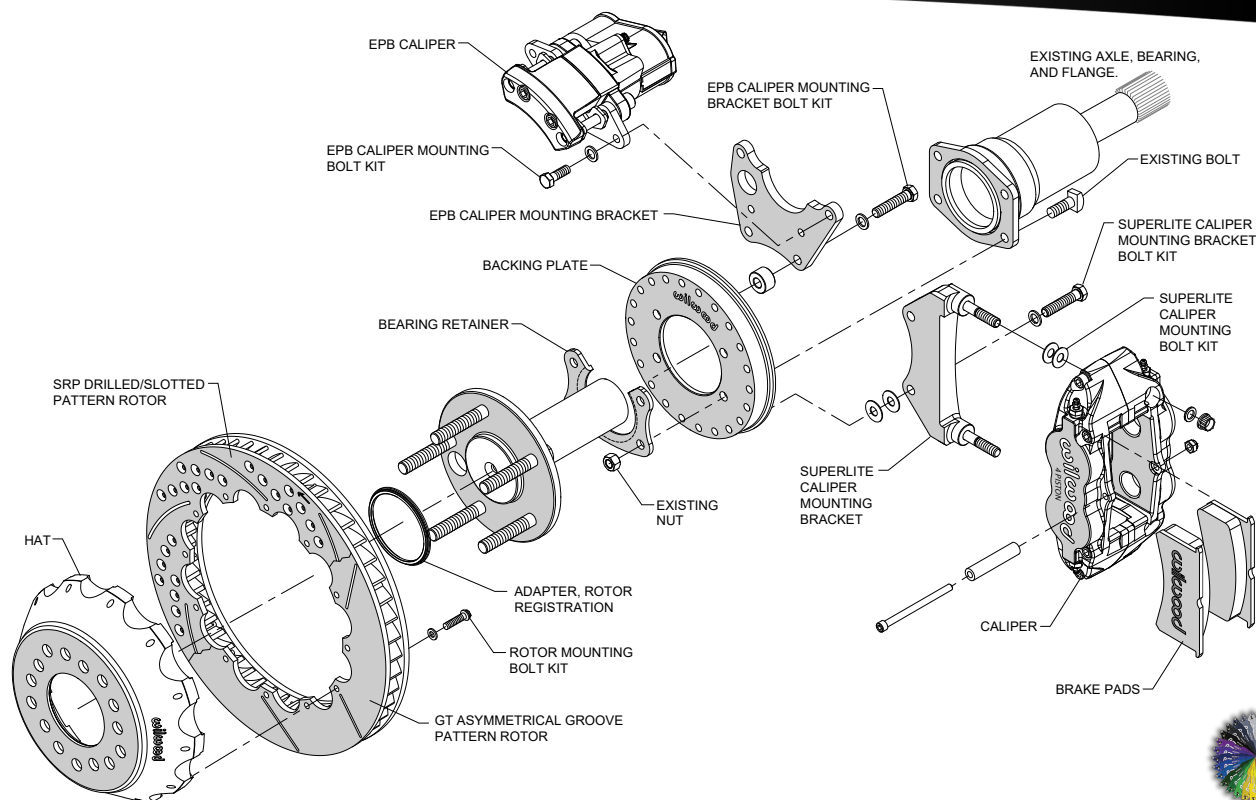


Figure 1. Typical Installation Diagram, 12.88 Superlite Kit Shown

PLEASE CHECK: WILWOOD ALWAYS RECOMMENDS CHECKING [WWW.WILWOOD.COM](http://WWW.WILWOOD.COM) FOR COMPLETE YEAR/MAKE/MODEL APPLICATION DATA AND SPECIFIC WHEEL CLEARANCE REQUIREMENTS



### ORDERING INFORMATION: Rear EPB Parking Brake Kits for Big Ford, New Style Rear Ends

PART NUMBER	DESCRIPTION	CALIPER FINISH
140-15842	DynaPro-LP/EPB Calipers, 11.00" Ultralite HP Rotors	Black Powder Coat
140-15842-D	DynaPro-LP/EPB Calipers, 11.00" SRP Drilled And Slotted Rotors	Black Powder Coat
140-15842-DR	DynaPro-LP/EPB Calipers, 11.00" SRP Drilled And Slotted Rotors	Red Powder Coat
140-15842-R	DynaPro-LP/EPB Calipers, 11.00" Ultralite HP Rotors	Red Powder Coat
140-15843	Dynalite/EPB Calipers, 12.19" Ultralite HP Rotors	Black Powder Coat
140-15843-D	Dynalite/EPB Calipers, 12.19" SRP Drilled And Slotted Rotors	Black Powder Coat
140-15843-DR	Dynalite/EPB Calipers, 12.19" SRP Drilled And Slotted Rotors	Red Powder Coat
140-15843-R	Dynalite/EPB Calipers, 12.19" Ultralite HP Rotors	Red Powder Coat
140-15844	Superlite 4R/EPB Calipers, 12.88" <b>Spec37</b> GT Competition Series Rotors	Black Powder Coat
140-15844-D	Superlite 4R/EPB Calipers, 12.88" <b>Spec37</b> SRP Drilled And Slotted Rotors	Black Powder Coat
140-15844-DR	Superlite 4R/EPB Calipers, 12.88" <b>Spec37</b> SRP Drilled And Slotted Rotors	Red Powder Coat
140-15844-R	Superlite 4R/EPB Calipers, 12.88" <b>Spec37</b> GT Competition Series Rotors	Red Powder Coat
140-15845	Superlite 4R/EPB Calipers, 14.00" <b>Spec37</b> GT Competition Series Rotors	Black Powder Coat
140-15845-D	Superlite 4R/EPB Calipers, 14.00" <b>Spec37</b> SRP Drilled And Slotted Rotors	Black Powder Coat
140-15845-DR	Superlite 4R/EPB Calipers, 14.00" <b>Spec37</b> SRP Drilled And Slotted Rotors	Red Powder Coat
140-15845-R	Superlite 4R/EPB Calipers, 14.00" <b>Spec37</b> GT Competition Series Rotors	Red Powder Coat
140-15846	Aerolite 4R/EPB Calipers, 14.00" <b>Spec37</b> GT Competition Series Rotors	Black Powder Coat
140-15846-D	Aerolite 4R/EPB Calipers, 14.00" <b>Spec37</b> SRP Drilled And Slotted Rotors	Black Powder Coat
140-15846-DR	Aerolite 4R/EPB Calipers, 14.00" <b>Spec37</b> SRP Drilled And Slotted Rotors	Red Powder Coat
140-15846-R	Aerolite 4R/EPB Calipers, 14.00" <b>Spec37</b> GT Competition Series Rotors	Red Powder Coat