

*DynaPro 4R brake kits use modern braking technology to restore and upgrade the form, function, reliability and safety of the brake system on classic-era Series I E-Type Jaguars. These kits provide confident braking and improved cooling efficiency, with longer wear from larger volume brake pads.*



## ***KIT FEATURES***

- Forged aluminum DynaPro 4R four piston calipers with stainless steel pistons, internal piston bore seals, and external dust wiper seals
- Precision-machined radial mount brackets with all premium-grade hardware for direct mounting to the OE spindles
- 30-vane, .81" thick vented iron rotors, with aluminum mounting hats, add cooling and durability over the solid OE style discs
- Choice of SRP drilled and slotted rotors with corrosion-resistant E-coat finish, or ULHP series plain face rotors
- Designed for use inside OE chrome spoke wire wheels and the output of the factory master cylinder
- All-inclusive kits shipped complete with BP-10 compound *SmartPads*, DOT compliant stainless braided flexlines, premium grade hardware and a detailed instruction guide



Note: Check [www.wilwood.com](http://www.wilwood.com) for complete year/make/model application data and specific wheel clearance requirements.

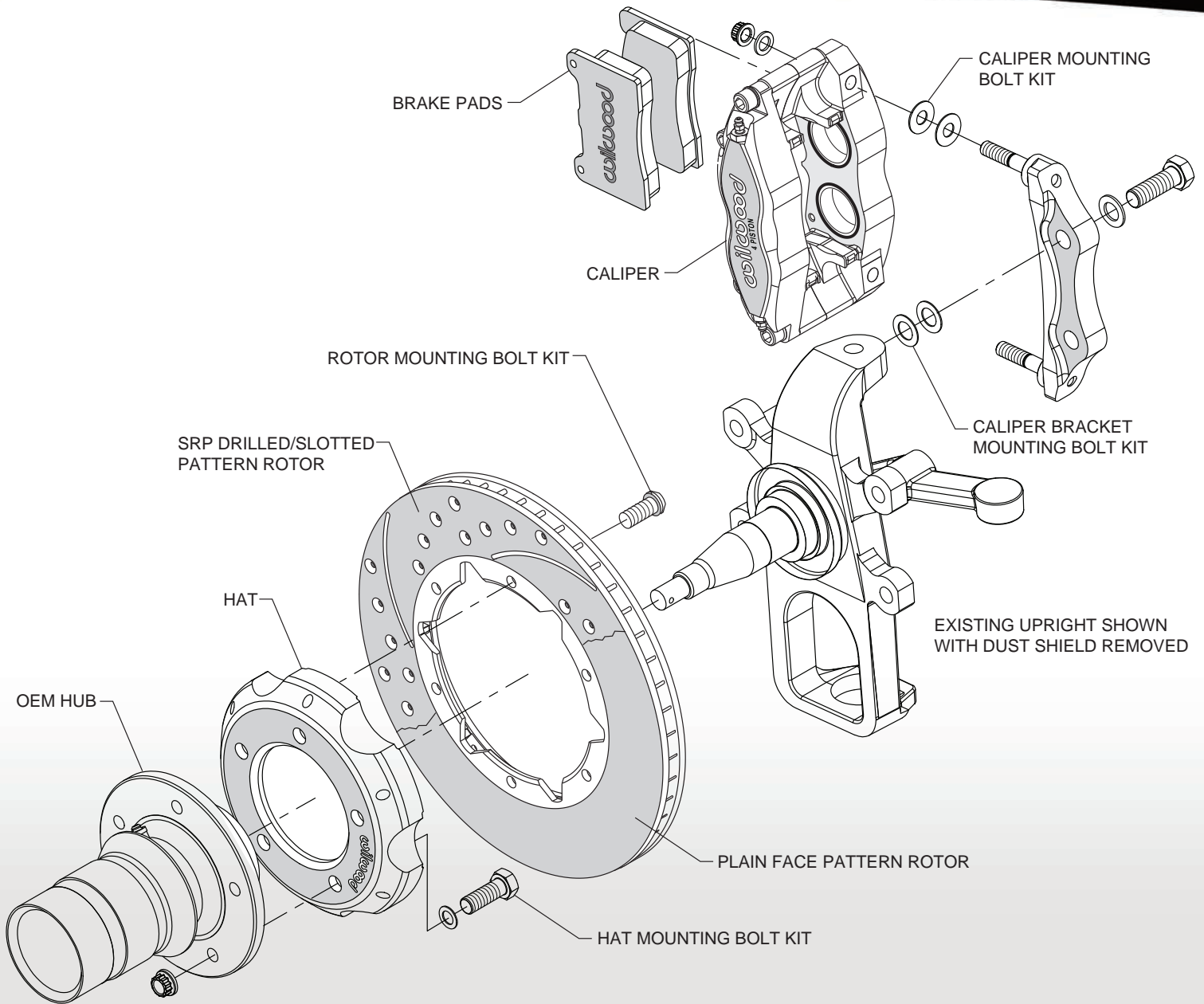


Figure 1. Typical Installation Diagram

**PLEASE CHECK:** WILWOOD ALWAYS RECOMMENDS CHECKING [www.wilwood.com](http://www.wilwood.com) FOR COMPLETE YEAR/MAKE/MODEL APPLICATION DATA AND SPECIFIC WHEEL CLEARANCE REQUIREMENTS.

### ORDERING INFORMATION: Complete Brake Kits for 1961-1968 Jaguar XKE (E-Type)

PART NUMBER	DESCRIPTION	CALIPER FINISH
<a href="#">140-15395</a>	Front Kit with DynaPro 4R Calipers, 11.00" Diameter ULHP Plain Face Rotors	Black Powder Coat
<a href="#">140-15395-D</a>	Front Kit with DynaPro 4R Calipers, 11.00" Diameter SRP Drilled and Slotted Rotors	Black Powder Coat
<a href="#">140-15395-R</a>	Front Kit with DynaPro 4R Calipers, 11.00" Diameter ULHP Plain Face Rotors	Red Powder Coat
<a href="#">140-15395-DR</a>	Front Kit with DynaPro 4R Calipers, 11.00" Diameter SRP Drilled and Slotted Rotors	Red Powder Coat