

*SUPERLITE 6R/ST Road Race brake kits are engineered application-specific to ease installation on production chassis vehicles, with the purpose of providing the ultimate in durability, high efficiency heat management, and championship-proven performance in extreme on-track competition.*



## KIT FEATURES



- Superlite 6R/ST forged aluminum radial mount calipers with hard anodize finish, Thermlock® pistons and internal damper springs
- Two-piece **Spec37** alloy 12.88" GT directional 48 vane racing rotors
- Dynamic floating-style aluminum rotor hats with t-nuts and bolts
- Caliper pistons volume-matched and fully compatible with the OE master cylinder and ABS controls
- Precision-machined radial mount brackets with all premium-grade hardware for direct mounting to the OE spindles
- BP-30 high-performance, high-temperature rated, endurance compound *SmartPads*
- All-inclusive kit complete with DOT approved stainless steel braided flexlines and hardware
- Fully bolt-on kits include an easy-to-follow assembly guide

Note: Check [www.wilwood.com](http://www.wilwood.com) for complete year/make/model application data and specific wheel clearance requirements.

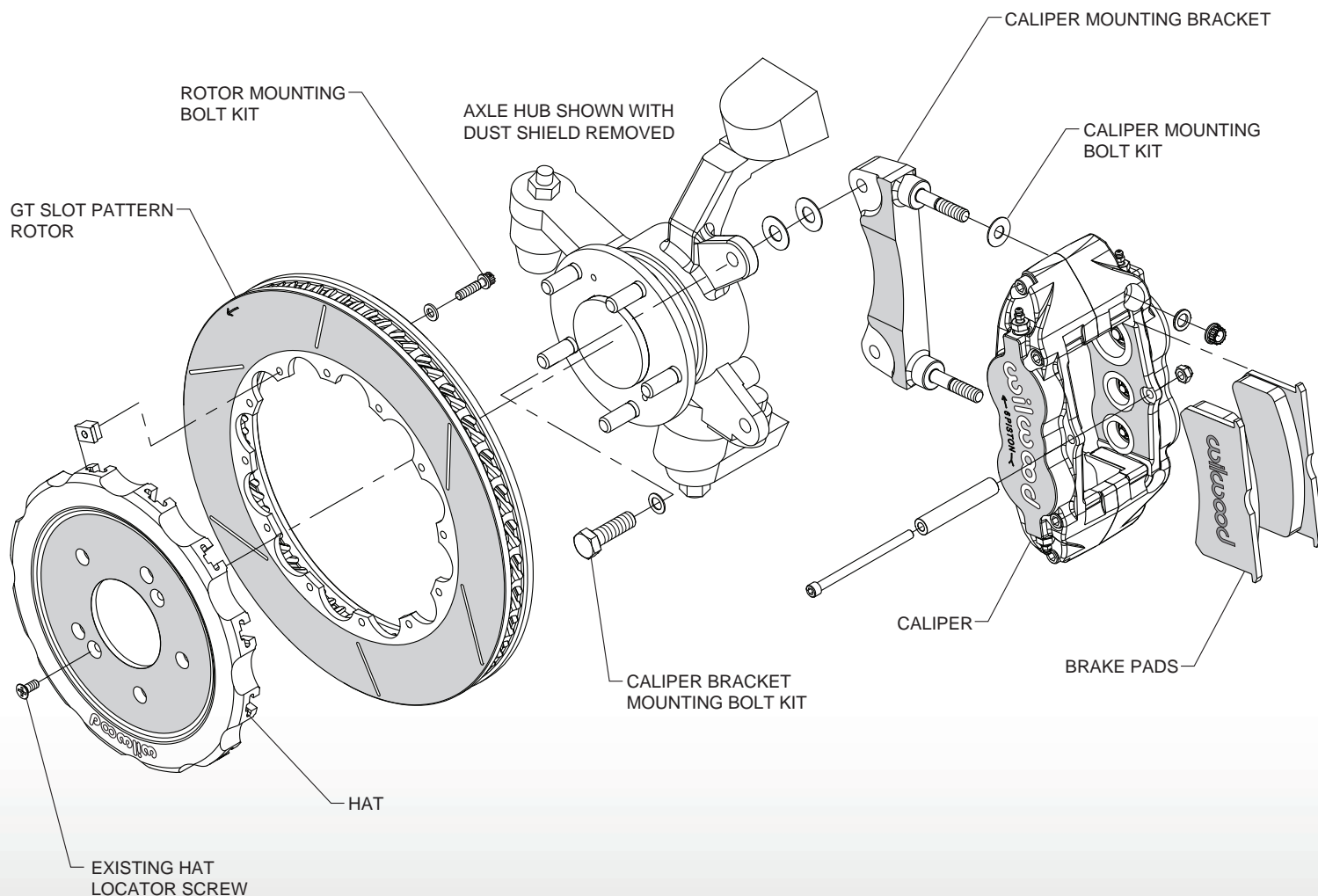


Figure 1. Typical Installation Diagram

**PLEASE CHECK:** WILWOOD ALWAYS RECOMMENDS CHECKING [www.wilwood.com](http://www.wilwood.com) FOR COMPLETE YEAR/MAKE/MODEL APPLICATION DATA AND SPECIFIC WHEEL CLEARANCE REQUIREMENTS.

### ORDERING INFORMATION: Complete Front Brake Kit for the 2000-2009 Honda S2000

PART NUMBER	DESCRIPTION	CALIPER FINISH
140-14965	Superlite 6R/ST Caliper, 12.88" <b>Spec37</b> GT Competition Series Rotor	Gray Hard Anodize
290-6209	EXP 600 Plus Super Hi-Temp Racing Brake Fluid, 16.9 Ounce, 500ml Bottle, Each	N/A
290-8478	EXP 600 Plus Super Hi-Temp Racing Brake Fluid, 16.9 Ounce, 500ml Bottle, Six Pack	N/A