

FORGED SUPERLITE 6R BIG BRAKE KITS

- ✓ 2005-23 **Toyota Tacoma**
- ✓ 2003-14 **Toyota 4Runner**

Wilwood's **Forged SUPERLITE 6R** big brake kits have been engineered to fit 2005-23 Toyota Tacoma, and 2003-14 Toyota 4Runner trucks in two rotor sizes for front axle applications.

Upgrade your OE single floating calipers and one-piece rotors to Wilwood's fixed-mount forged six piston caliper and two-piece aluminum hat and rotor combination. The result will improve high-response braking with less rotational mass and provide better thermal capability for high-demand driving and consistent pedal pressure for towing, commercial applications, spirited driving, and off-road use.

KIT FEATURES:

- Fully compatible with OE master cylinder and ABS controls
- Provides greater brake torque and increased thermal stability

CALIPERS: SUPERLITE 6R

- Rigid, forged aluminum radial mount six piston calipers
- Central stiffening bridge bolt removes for easier pad changes
- Calipers available in gloss black or red powder coat, or 24 additional color options (additional charges may apply)

ROTORS: GTB Slotted or SRP Drilled & Slotted

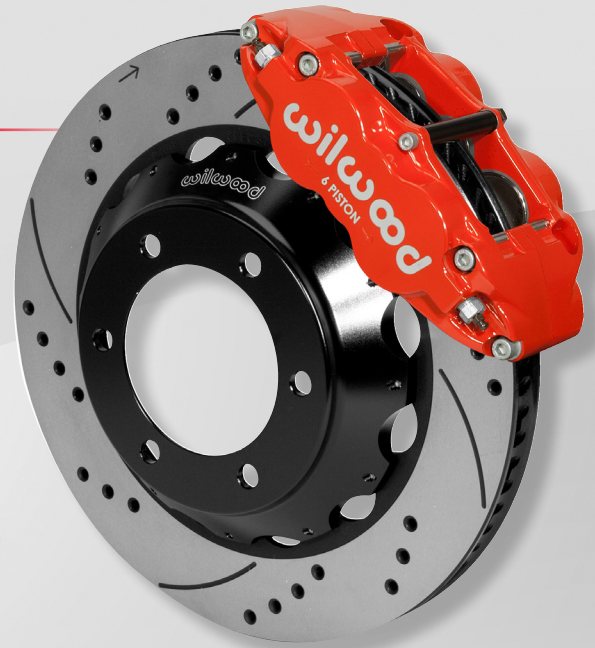
- 12.88" x 1.10" premium-grade **Spec37** iron alloy with 48 curved vane vented rotors
- 14.00" x 1.10" premium-grade **Spec37** iron alloy with 72 curved vane vented rotors
- Rotors are E-coated, choose GTB slotted, or SRP drilled and slotted

BRAKE PADS: SmartPad® BP-10

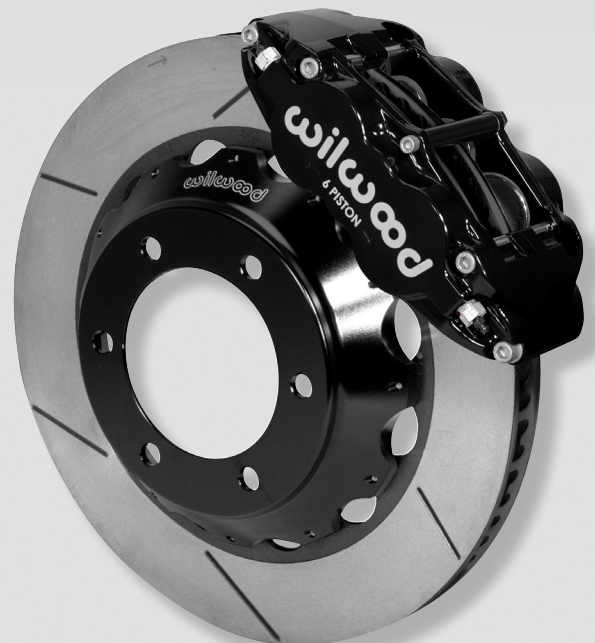
- Wilwood's BP-10 compound for everyday street or performance driving (additional compounds available)

INSTALLATION PARTS:

- Stainless steel Flexlines and premium-grade hardware included



SRP Drilled & Slotted Rotor Kit



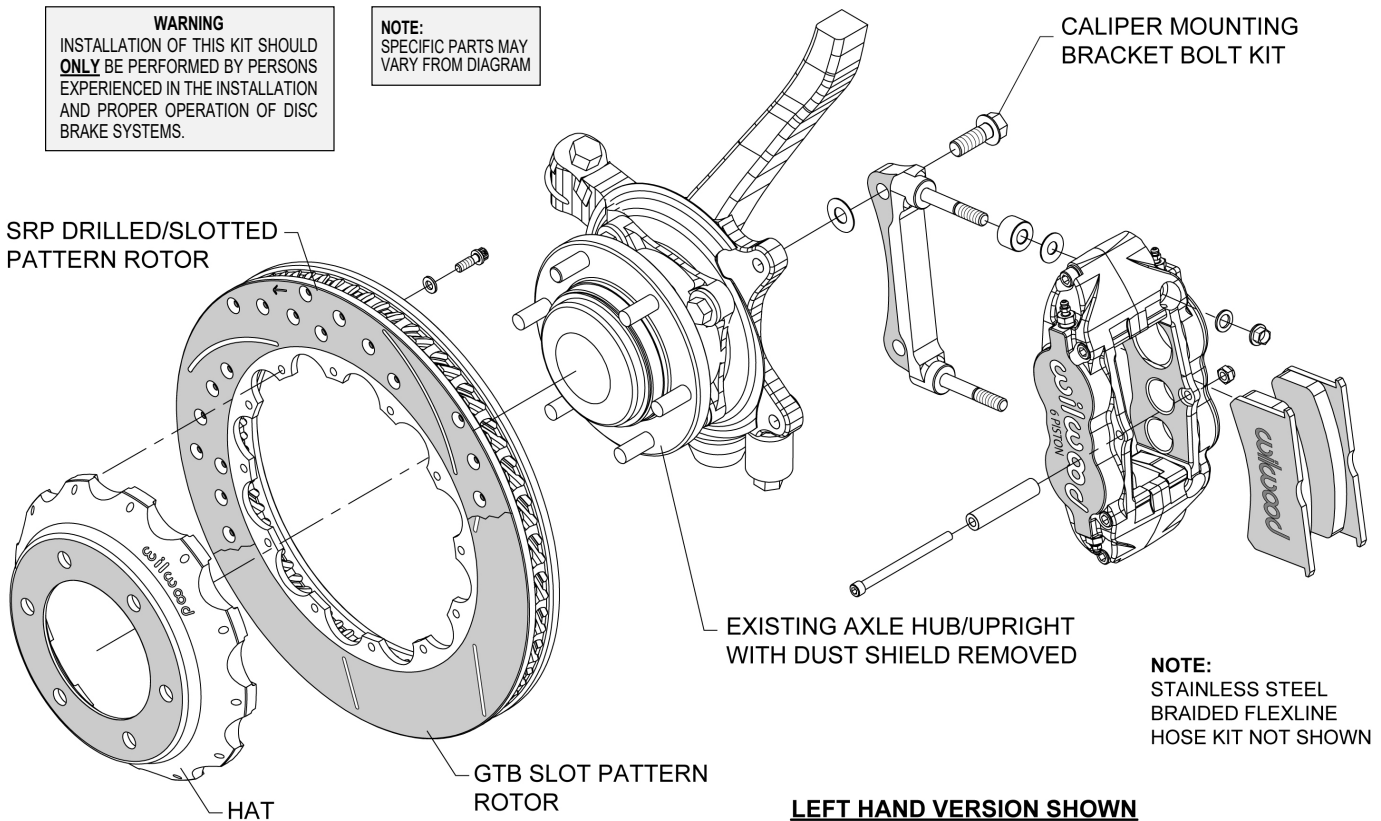
GTB Slotted Rotor Kit

FORGED SUPERLITE 6R BIG BRAKE KITS

✓ 2005-23 **Toyota Tacoma**

✓ 2003-14 **Toyota 4Runner**

TYPICAL INSTALLATION CONFIGURATION



ORDERING INFO: PH: 805.388.1188 • FAX: 805.388.4938 • wilwood.com • info@wilwood.com

PART No.	DESCRIPTION	CALIPER	COLOR	ROTOR TYPE	ROTOR SIZE
140-14577	Kit, Front SL6R, 2005-23 Tacoma, 2003-14 4Runner	Superlite 6R	Black	GTB Slotted	12.88" x 1.10"
140-14577-R	Kit, Front SL6R, 2005-23 Tacoma, 2003-14 4Runner	Superlite 6R	Red	GTB Slotted	12.88" x 1.10"
140-14577-D	Kit, Front SL6R, 2005-23 Tacoma, 2003-14 4Runner	Superlite 6R	Black	SRP Drilled/Slotted	12.88" x 1.10"
140-14577-DR	Kit, Front SL6R, 2005-23 Tacoma, 2003-14 4Runner	Superlite 6R	Red	SRP Drilled/Slotted	12.88" x 1.10"
140-14578	Kit, Front SL6R, 2005-23 Tacoma, 2003-14 4Runner	Superlite 6R	Black	GTB Slotted	14.00" x 1.10"
140-14578-R	Kit, Front SL6R, 2005-23 Tacoma, 2003-14 4Runner	Superlite 6R	Red	GTB Slotted	14.00" x 1.10"
140-14578-D	Kit, Front SL6R, 2005-23 Tacoma, 2003-14 4Runner	Superlite 6R	Black	SRP Drilled/Slotted	14.00" x 1.10"
140-14578-DR	Kit, Front SL6R, 2005-23 Tacoma, 2003-14 4Runner	Superlite 6R	Red	SRP Drilled/Slotted	14.00" x 1.10"