

DISC BRAKES
wilwood

CHEVROLET C10 TRUCK
1960 - 1970
SUPERLITE CLASSIC SERIES
FRONT BRAKE KITS

**FORGED SUPERLITE CLASSIC
SERIES FRONT BRAKE KITS**
for the 1960-1970 C10 truck
drum brake spindle combine
time-proven technology with
contemporary styling to deliver
modern brake performance for
the street or show.



KIT FEATURES



- Superlite six piston radial mount forged aluminum calipers with stainless steel pistons
- Calipers are available in black and red powder coat or 22 additional color options
- BP-10 metallic - composite compound *SmartPads*
- Durable 11.86" x 1.25" dual 5 x 4.75" / 5 x 5.00" stud pattern one-piece certified alloy HP hub and rotor
- Can be used manual or with a power booster and matched output master cylinders
- Fits Original Equipment drum spindles with most 15" wheels
- Complete kits include bearings, seals, brackets, all hardware and a detailed instruction guide of the fully bolt-on installation
- DOT approved braided stainless steel flexlines are available separately
- Improved driving comfort, confidence and overall stopping performance

Note: Check www.wilwood.com for complete year/make/model application data and specific wheel clearance requirements.

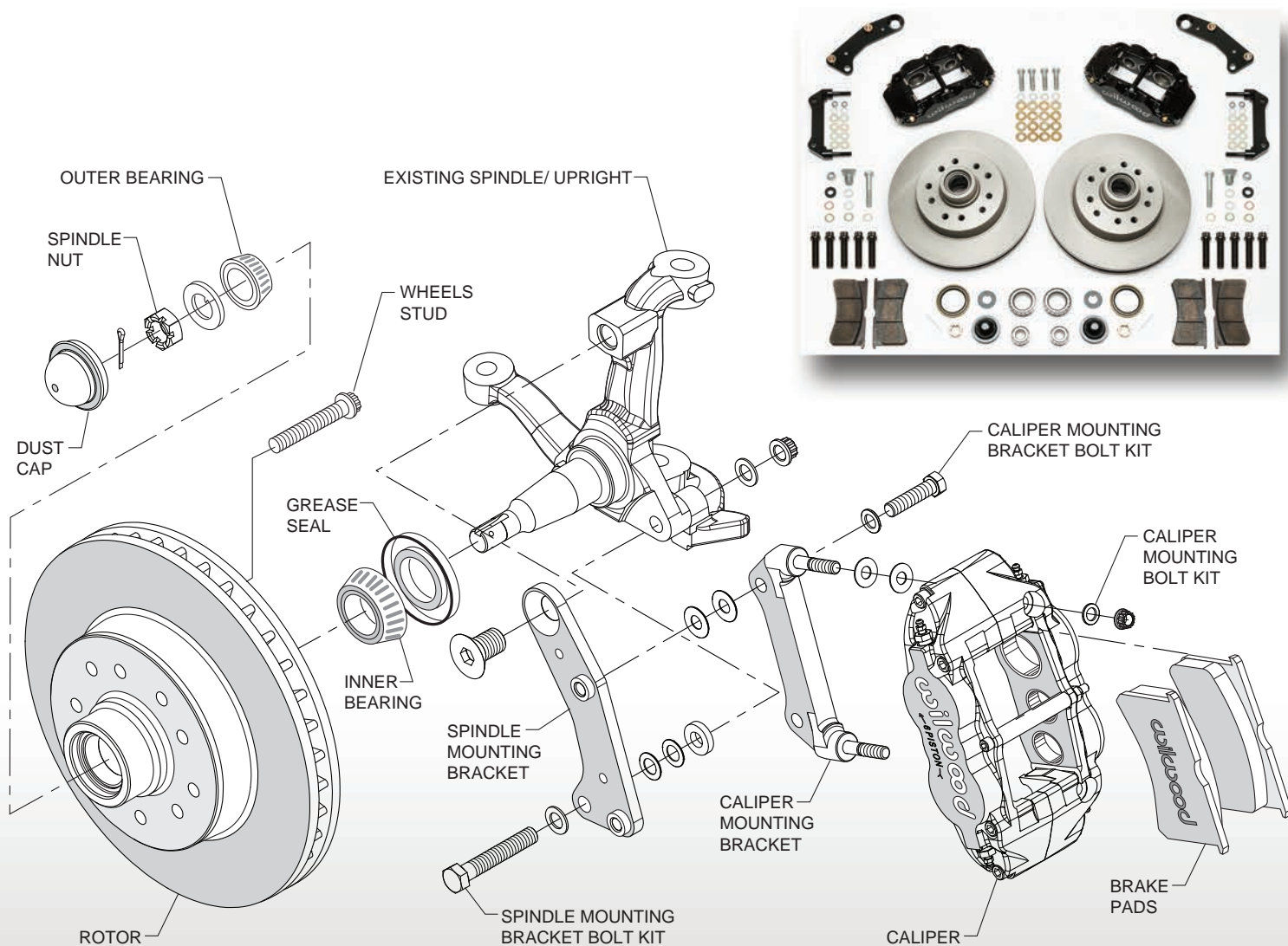


Figure 1. Typical Installation Diagram

PLEASE CHECK: WILWOOD ALWAYS RECOMMENDS CHECKING www.wilwood.com FOR COMPLETE YEAR/MAKE/MODEL APPLICATION DATA AND SPECIFIC WHEEL CLEARANCE REQUIREMENTS.

ORDERING INFORMATION: Front Brake Kits for the 1960 - 1970 Chevrolet C10 Truck

PART NUMBER	DESCRIPTION	CALIPER FINISH
140-14526	1960-1963 Chevrolet C10, 5-Lug, 1/2 Ton, FNLSL6R Calipers, 11.86" Diameter Rotor	Black Powder Coat
140-14526-R	1960-1963 Chevrolet C10, 5-Lug, 1/2 Ton, FNLSL6R Calipers, 11.86" Diameter Rotor	Red Powder Coat
140-14474	1964-1970 Chevrolet C10, 5-Lug, 1/2 Ton, FNLSL6R Calipers, 11.86" Diameter Rotor	Black Powder Coat
140-14474-R	1964-1970 Chevrolet C10, 5-Lug, 1/2 Ton, FNLSL6R Calipers, 11.86" Diameter Rotor	Red Powder Coat