



FORD F-150 TRUCK • 2012-PRESENT FORGED SUPERLITE 6R BIG BRAKE REAR KITS

Forged Superlite 6R

Big rotor rear brake kits deliver high capacity stopping power and long service durability for all types highway, towing, off-road and extreme-duty vehicles.

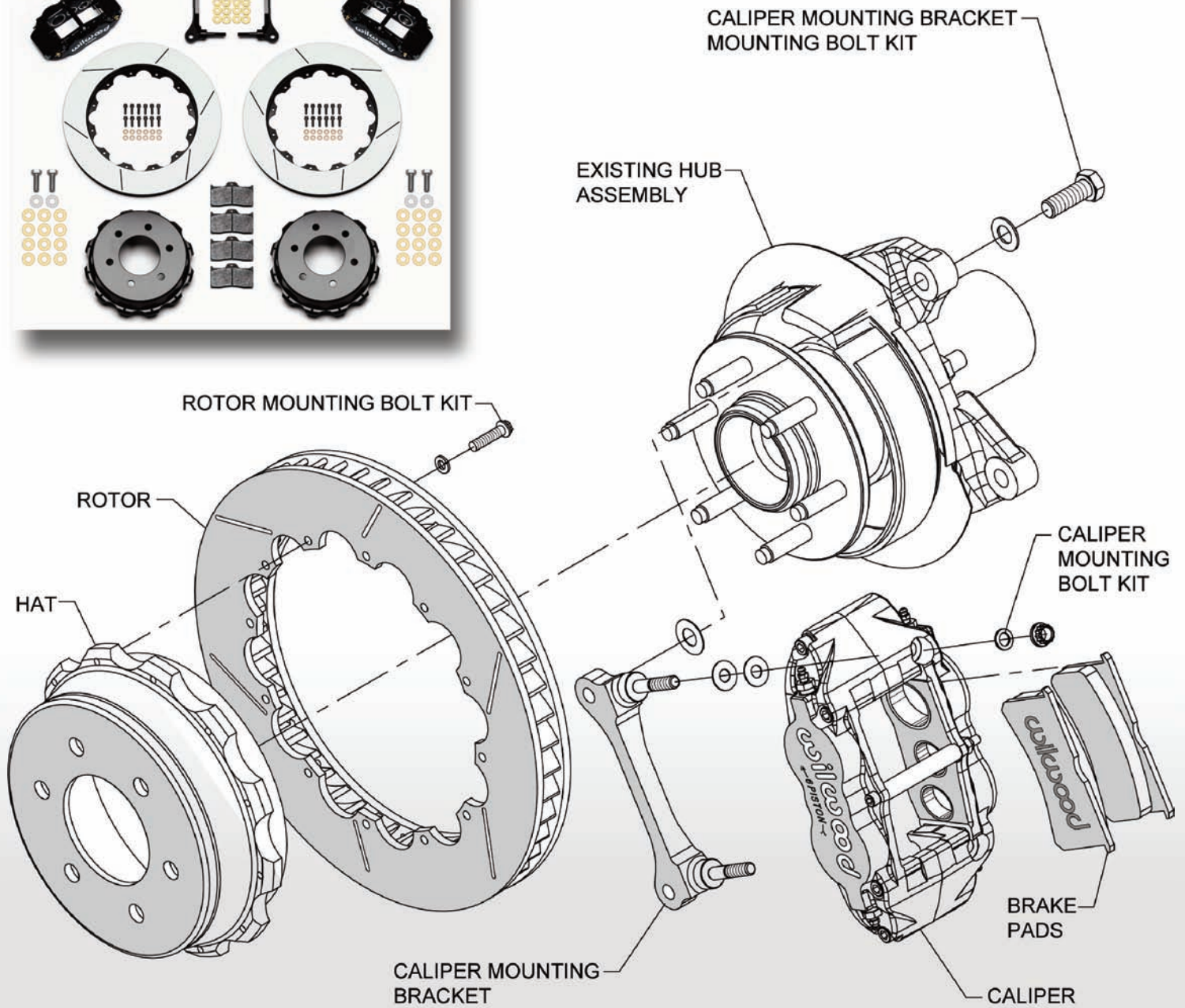


Kit Features



- Forged aluminum calipers with six stainless steel pistons and high-temp internal bore seals
- Choice of red or black calipers
- Big diameter, 14.25" extreme-duty **Spec37** alloy directional vane hat mounted rotors
- High response, fade resistant BP-20 compound *SmartPads*
- Fully compatibility with the OE master cylinder, ABS and all electronic system controls
- Maintains factory parking brake
- Direct bolt-on installation kit after minor modifications to the factory dust shields
- Kits include all mounting brackets with premium grade hardware and a detailed guide to simplify installation

Note: Check www.wilwood.com for complete year/make/model application data and specific wheel clearance requirements



PLEASE CHECK: WILWOOD ALWAYS RECOMMENDS CHECKING www.wilwood.com FOR COMPLETE YEAR/MAKE/MODEL APPLICATION DATA AND SPECIFIC WHEEL CLEARANCE REQUIREMENTS.

ORDERING INFORMATION: Rear Brake Kits for 2012-Present Ford F-150 Trucks, 6 Lug Only

PART NUMBER	DESCRIPTION	CALIPER FINISH
140-13866	Kit, Superlite 6R Calipers, 14.25" Spec37 GT-72 Directional Vane Rotors	Black Powder Coat
140-13866-R	Kit, Superlite 6R Calipers, 14.25" Spec37 GT-72 Directional Vane Rotors	Red Powder Coat
220-15276	Flexline Kit, Stainless Steel Braided, DOT Compliant, 2012-2013 Models	-
220-15277	Flexline Kit, Stainless Steel Braided, DOT Compliant, 2014-Present Models	-