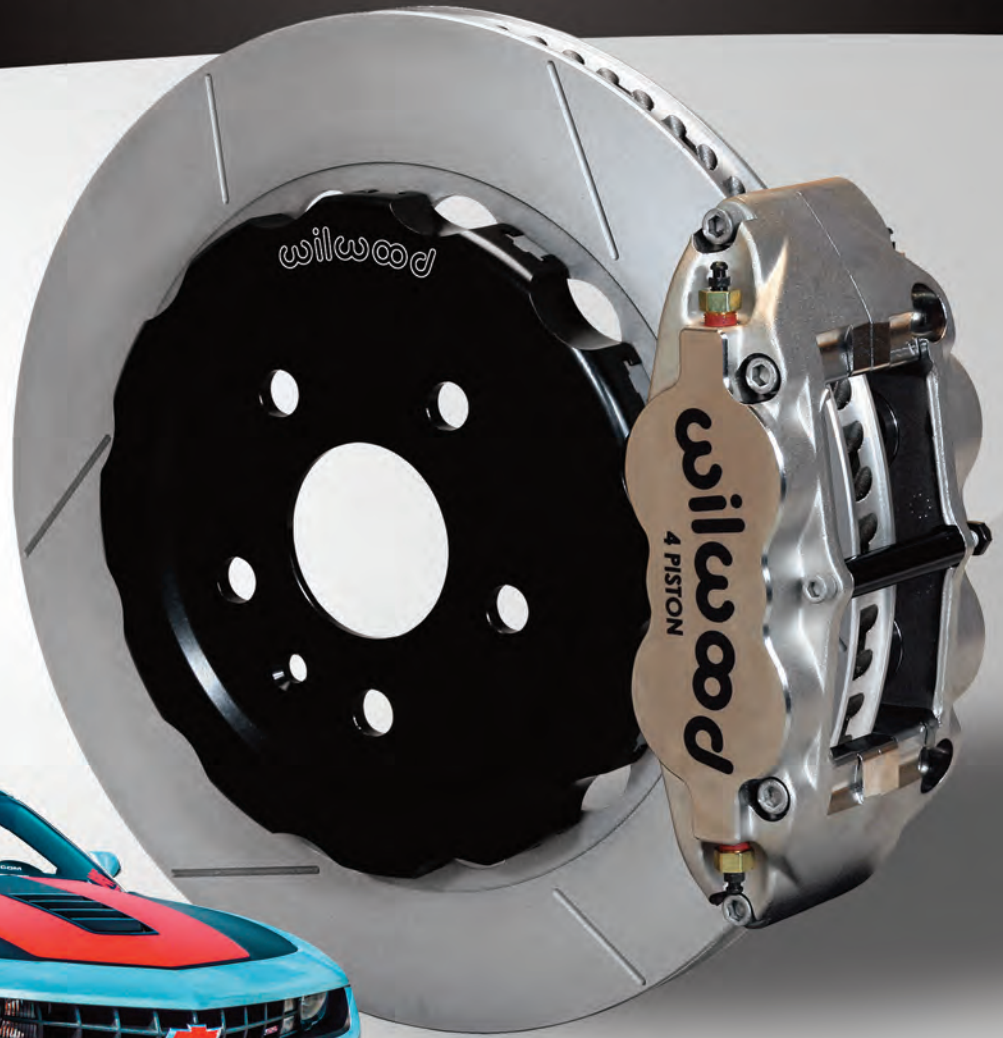




CHEVROLET CAMARO • 2010-2015 REAR SUPERLITE 4R/ST ROAD RACE BRAKE KIT

Superlite 4R/ST Quick-Silver caliper road race brake kits provide ultimate durability, heat management and championship performance in extreme on-track competition for all 2010-2015 Camaro's.

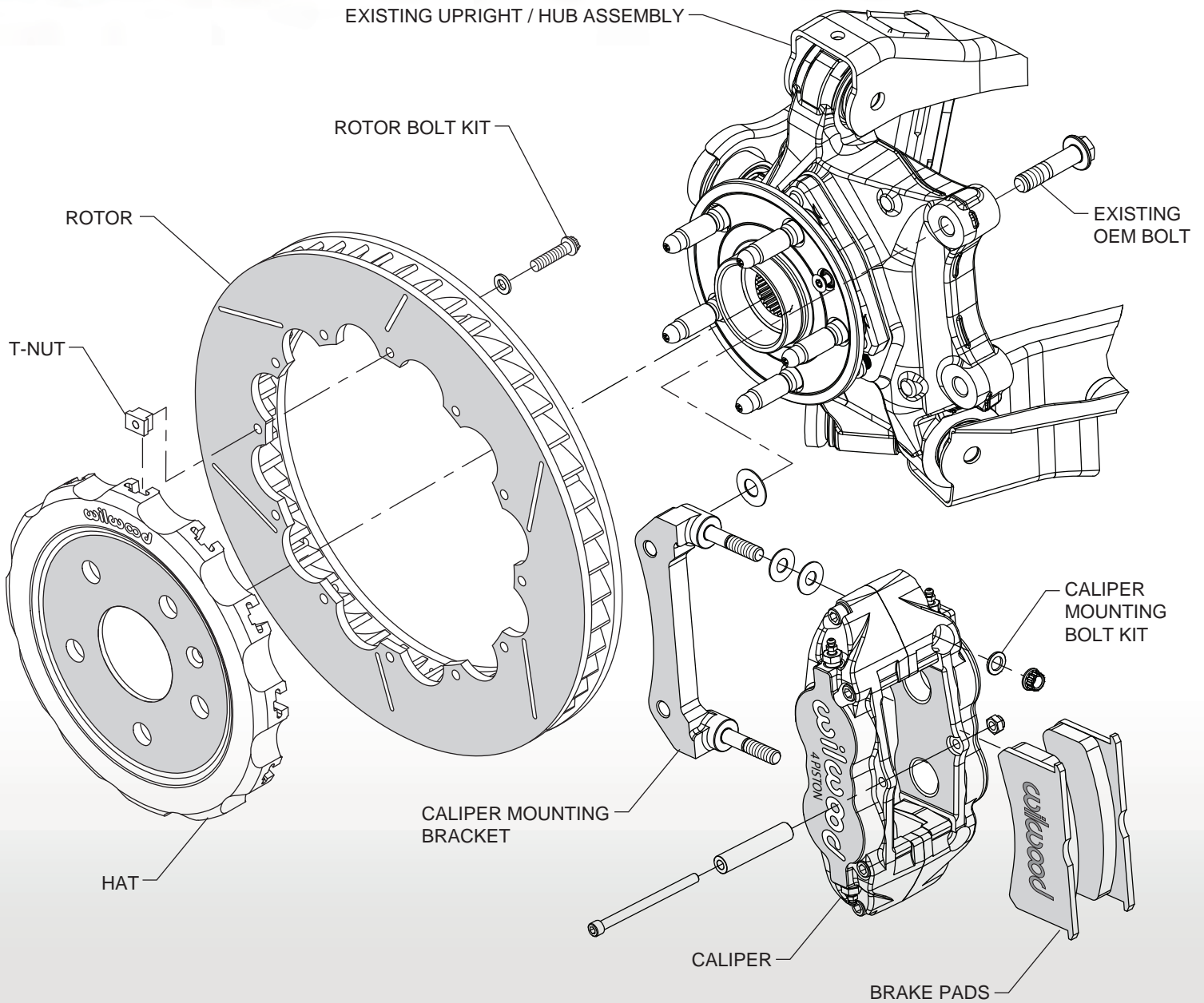


Kit Features



- Superlite 4R/ST forged aluminum radial mount calipers with Thermlock® pistons
- Two-piece **Spec37** alloy 14" SV-GT staggered directional vane rotors
- Dynamic floating-style aluminum rotor hats with t-nuts and bolts
- Piston volume-matched and fully compatible with OE master cylinder output, ABS and dynamic suspension controls
- Radial mount brackets and all mounting hardware made specific for the Camaro to ensure a secure and precise fit
- BP-40 metallic – composite race compound *SmartPads*
- Complete bolt-on kit comes with all the necessary hardware and a detailed installation guide
- DOT approved stainless steel braided flexlines are available and may be ordered separately

Note: Wilwood always recommends checking www.wilwood.com for complete year/make/model application data and specific wheel clearance requirements



PLEASE CHECK: WILWOOD ALWAYS RECOMMENDS CHECKING www.wilwood.com FOR COMPLETE YEAR/MAKE/MODEL APPLICATION DATA AND SPECIFIC WHEEL CLEARANCE REQUIREMENTS.

ORDERING INFORMATION: Rear Road Race Brake Kits for 2010-2015 Camaro

PART NUMBER	DESCRIPTION	CALIPER FINISH
140-15232-N	Superlite FNSL4R/ST Calipers, 14.00" Spec37 GT Competition Series Rotors	Quick-Silver Nickel

Note: Kit is parking brake delete, requiring removal of the Original Equipment (OE) parking brake components