



# AEROLITE 6R BRAKE KIT FOR PROSPINDLE WITH 15" ROTOR

*Aerolite 6R Front Disc Brake Kits for Wilwood ProSpindles combine modern technology with contemporary styling in a package that delivers confident stopping power.*



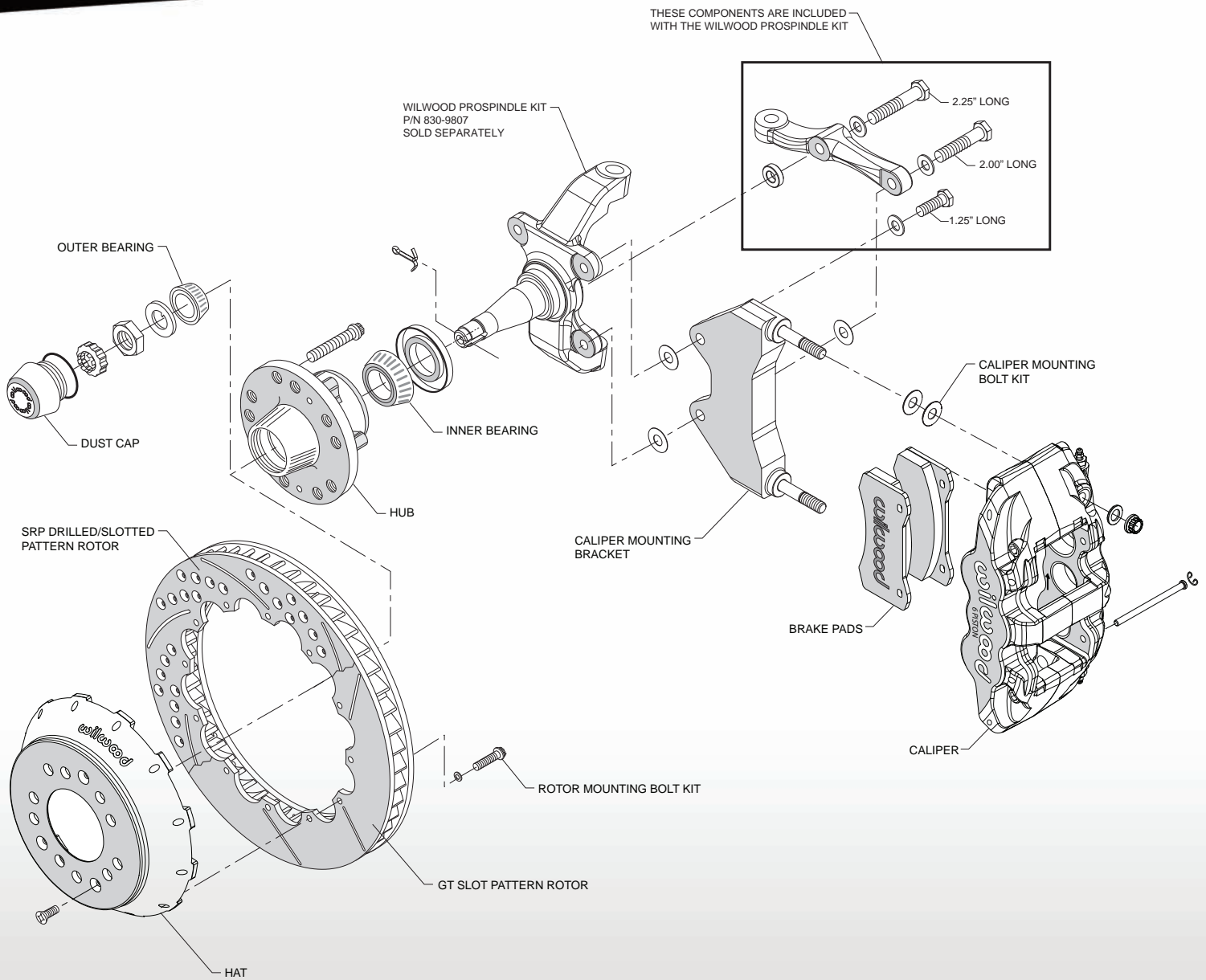
Wilwood ProSpindle Kits Sold Separately



## Kit Features

- Aerolite six piston radial mount forged aluminum calipers
- Choice of GT or SRP directional vane **Spec37** alloy rotors in 15" diameter
- Forged hubs and hats are strong, lightweight and stylish
- BP-20 metallic – composite compound *SmartPads* in the GT kits and BP-10 in the SRP kits
- Works with either manual or power brake systems
- Calipers available in gloss red or black powder coat finish
- Fits most 18" and larger wheels<sup>(1)</sup>
- DOT approved stainless steel braided flexlines are available and can be ordered separately
- Fully bolt-on kit complete with all the necessary hardware and a detailed installation guide

(1) Wilwood always recommends checking [www.wilwood.com](http://www.wilwood.com) for specific wheel clearance requirements



**PLEASE CHECK:** WILWOOD ALWAYS RECOMMENDS CHECKING [www.wilwood.com](http://www.wilwood.com) FOR SPECIFIC WHEEL CLEARANCE REQUIREMENTS.

## ORDERING INFORMATION: Complete Brake Kits for Wilwood ProSpindle

PART NUMBER	DESCRIPTION	CALIPER FINISH
140-15025	Aerolite 6R Calipers, 15.00" <b>Spec37</b> GT Competition Series Rotors	Black Powder Coat
140-15025-D	Aerolite 6R Calipers, 15.00" <b>Spec37</b> SRP Drilled and Slotted Rotors	Black Powder Coat
140-15025-R	Aerolite 6R Calipers, 15.00" <b>Spec37</b> GT Competition Series Rotors	Red Powder Coat
140-15025-DR	Aerolite 6R Calipers, 15.00" <b>Spec37</b> SRP Drilled and Slotted Rotors	Red Powder Coat