



# FULL SIZE FORD AND MERCURY • 1957-1968, T-BIRD • 1958-1960, EDSEL • 1959-1960 FRONT FORGED SUPERLITE 6R BRAKE KIT

## Forged Superlite 6R kits

combine competition proven technology with contemporary styling in a fully bolt-on performance upgrade system for the Ford Galaxie, Fairlane, Cyclone, Torino, Ranchero, Thunderbird and more.<sup>(1)</sup>



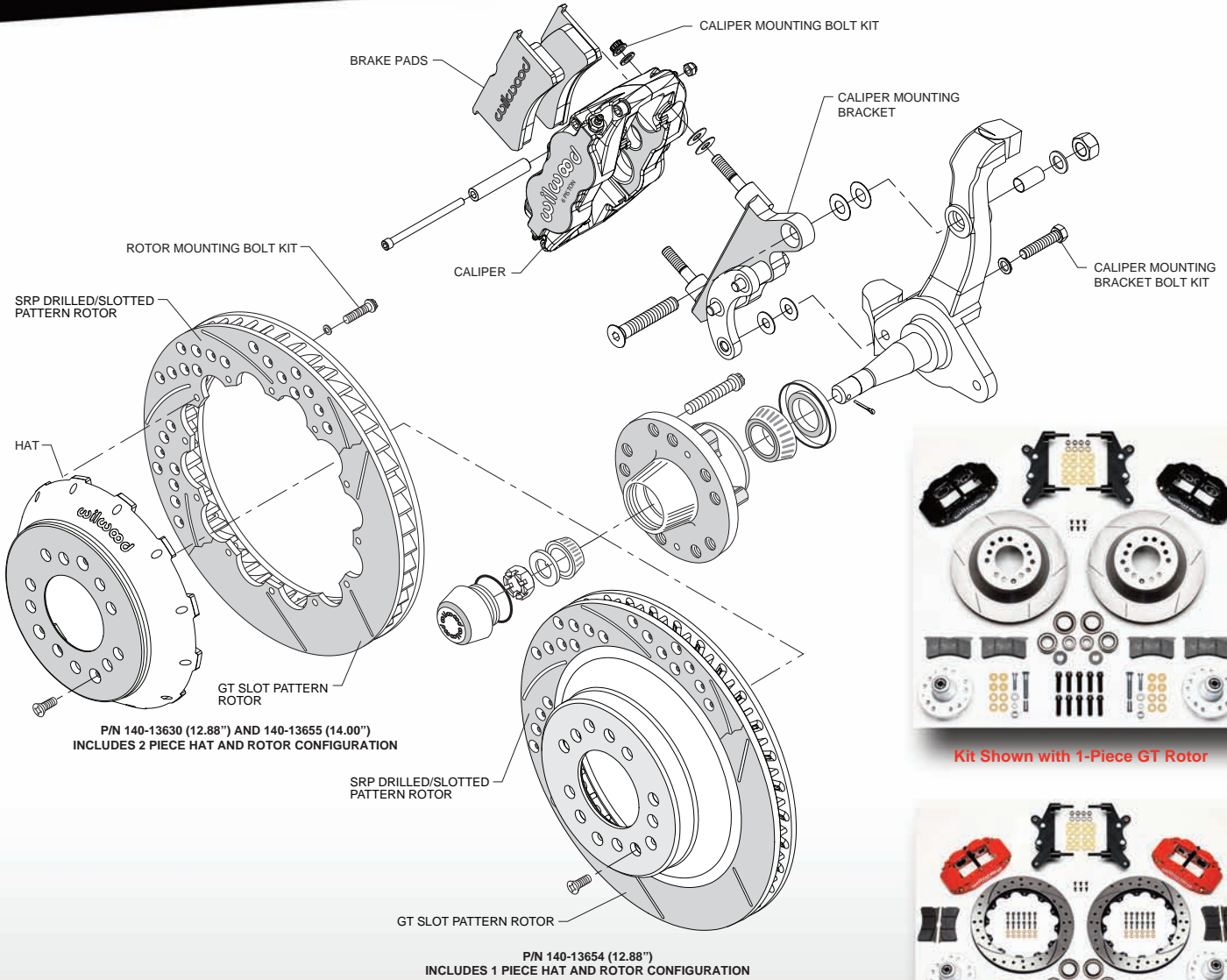
## Kit Features



- Superlite 6R six-piston forged aluminum radial mount calipers in gloss black or red powder coat
- SRP drilled & slotted, or GT slotted only rotors in 1 or 2 piece 12.88", or 2 piece 14.00" diameters
- Fits all original equipment drum brake spindle and 1965 model disc brake spindles <sup>(1)</sup>
- BP-10 compound composite metallic *Smart-Pads*
- Compatible with manual or power brakes systems
- Easily configured for dedicated track use with race-only pads and Thermlock® pistons
- Fully bolt-on kits complete with brackets, hardware, and detailed installation instructions <sup>(2)</sup>

(1) Partial list. For a complete list visit our website.

(2) Flexline kits are required for installation and must be ordered separately by specific vehicle make, model, and year.



Kit Shown with 1-Piece GT Rotor



Kit Shown with 2-Piece SRP Rotor

**PLEASE CHECK:** WILWOOD ALWAYS RECOMMENDS CHECKING [www.wilwood.com](http://www.wilwood.com) FOR COMPLETE YEAR/MAKE/MODEL APPLICATION DATA AND SPECIFIC WHEEL CLEARANCE REQUIREMENTS.

## ORDERING INFORMATION:

PART NUMBER	DESCRIPTION
<a href="#">140-13630</a>	Superlite 6R Front Kit, Black Calipers, 12.88" x 1.10" 2-Piece GT Rotors, BP-10 Smart Pads
<a href="#">140-13630-D</a>	Superlite 6R Front Kit, Black Calipers, 12.88" x 1.10" 2-Piece SRP Rotors, BP-10 Smart Pads
<a href="#">140-13630-DR</a>	Superlite 6R Front Kit, Red Calipers, 12.88" x 1.10" 2-Piece SRP Rotors, BP-10 Smart Pads
<a href="#">140-13630-R</a>	Superlite 6R Front Kit, Red Calipers, 12.88" x 1.10" 2-Piece GT Rotors, BP-10 Smart Pads
<a href="#">140-13654</a>	Superlite 6R Front Kit, Black Calipers, 12.88" x 1.10" 1-Piece GT Rotors, BP-10 Smart Pads
<a href="#">140-13654-D</a>	Superlite 6R Front Kit, Black Calipers, 12.88" x 1.10" 1-Piece SRP Rotors, BP-10 Smart Pads
<a href="#">140-13654-DR</a>	Superlite 6R Front Kit, Red Calipers, 12.88" x 1.10" 1-Piece SRP Rotors, BP-10 Smart Pads
<a href="#">140-13654-R</a>	Superlite 6R Front Kit, Red Calipers, 12.88" x 1.10" 1-Piece GT Rotors, BP-10 Smart Pads
<a href="#">140-13655</a>	Superlite 6R Front Kit, Black Calipers, 14.00" x 1.10" 2-Piece GT Rotors, BP-10 Smart Pads
<a href="#">140-13655-D</a>	Superlite 6R Front Kit, Black Calipers, 14.00" x 1.10" 2-Piece SRP Rotors, BP-10 Smart Pads
<a href="#">140-13655-DR</a>	Superlite 6R Front Kit, Red Calipers, 14.00" x 1.10" 2-Piece SRP Rotors, BP-10 Smart Pads
<a href="#">140-13655-R</a>	Superlite 6R Front Kit, Red Calipers, 14.00" x 1.10" 2-Piece GT Rotors, BP-10 Smart Pads