

MASTER CYLINDER TANDEM WITH INTEGRAL RESERVOIR

This master cylinder, as seen on dozens of award-winning show cars and hundreds of classics, street rods, and resto-mods, works as great as it looks. Available in four bore sizes, for manual or power brakes, it features the same refined fluid control and pressure actuation as Wilwood motorsports master cylinders in a street-friendly package.

- Light, strong, durable die-cast aluminum body with a large fluid reservoir.
- Ideal for four-wheel disc brakes or disc/drum with the addition of a 10lb residual valve.
- Front and rear brake outlet ports on both sides for ease of plumbing (plugs included).
- Available in raw aluminum, black E-coat, or chrome-like ball burnished finish.
- 1" and 1-1/8" bores for power brake boosters.
- 7/8" and 15/16" bores with captured pushrod for manual brakes.
- 7/8" and 15/16" bores with early Mustang style pushrod also available.
- Generous 1.10" piston stroke provides fluid volume for larger multi-piston calipers.
- Mounting flange with slotted holes fits many Chrysler, GM, and Ford bolt patterns.

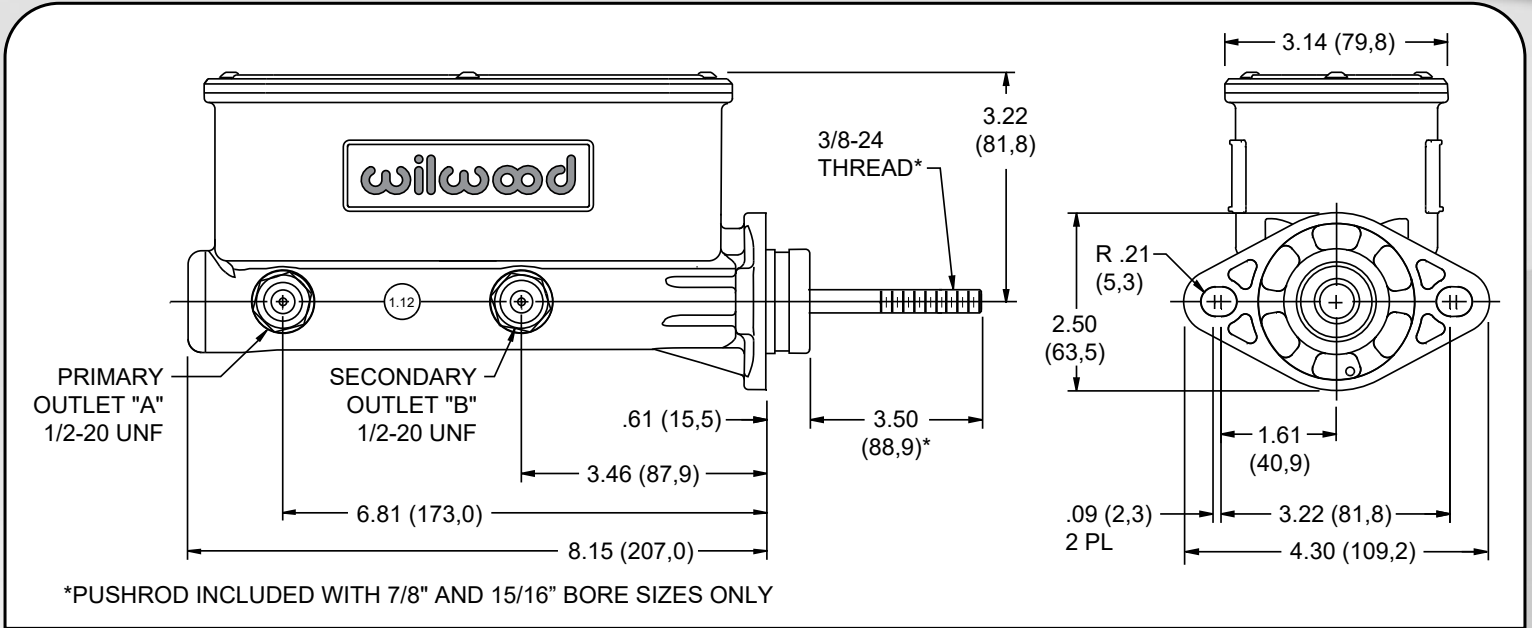


MASTER CYLINDER KITS WITH COMBINATION VALVE

Wilwood's unique adjustable combination valve simplifies plumbing, wiring, and brake bias adjusting.

- Valve combines adjustable rear proportioning valve and pressure-activated brake switch.
- One front brake line input with two outputs simplifies plumbing.
- Kit includes combination valve, bracket, fluid lines, wiring, and hardware.
- Precision bent stainless steel fluid lines come pre-flared with stainless tube nuts.
- Button head stainless steel mounting screws thread into bracket to simplify installation.





ORDERING INFORMATION: PH: 805.388.1188 • FAX: 805.388.4938 • wilwood.com • info@wilwood.com

RAW ALUMINUM	BLACK E-COAT	BALL BURNISHED	DESCRIPTION
260-9439	260-9439-BK	260-9439-P	7/8" Bore Tandem MC w/ Pushrod
261-13271	261-13271-BK	261-13271-P	7/8" Bore Tandem MC w/ Pushrod & Combo Valve Kit
260-12900	260-12900-BK	260-12900-P	7/8" Bore Tandem MC w/ Mustang Pushrod
261-13272	261-13272-BK	261-13272-P	7/8" Bore Tandem MC w/ Mustang Pushrod & Combo Valve Kit
260-13375	260-13375-BK	260-13375-P	15/16" Bore Tandem MC w/ Pushrod
261-13626	261-13626-BK	261-13626-P	15/16" Bore Tandem MC w/ Pushrod & Combo Valve Kit
260-14157	260-14157-BK	260-14157-P	15/16" Bore Tandem MC w/ Mustang Pushrod
261-14158	261-14158-BK	261-14158-P	15/16" Bore Tandem MC w/ Mustang Pushrod & Combo Valve Kit
260-8555	260-8555-BK	260-8555-P	1" Bore Tandem MC
261-13269	261-13269-BK	261-13269-P	1" Bore Tandem MC & Combo Valve Kit
260-8556	260-8556-BK	260-8556-P	1-1/8" Bore Tandem MC
261-13270	261-13270-BK	261-13270-P	1-1/8" Bore Tandem MC & Combo Valve Kit

ACCESSORIES

PART NUMBER	DESCRIPTION
260-11179	Combination Proportioning Valve
260-15048	Combination Proportioning Valve Kit, RH
260-13190	Combination Proportioning Valve Kit, LH
260-13784	10lb Residual Valve for Rear Drum Brakes

