

Floor Mount Triple Pedal Assembly

Features:

- Three individual pedals to control brake, clutch and throttle.
- Optional throttle linkage (P/N 340-12412) for use with front engine vehicles.
- Lightweight construction.
- High strength computer design.
- Includes brake balance bar and clevis.
- Brake and clutch pedals have 5.25:1 nominal ratio.
- High strength steel master cylinder mounting studs.
- Easy mounting location.
- Wilwood's own black e-coated finish.
- Finest quality hardware.
- Use with Wilwood compact, high volume, or combination master cylinders.



Pedal Shown w/Optional Master Cylinders

Download a High Resolution Photo,
[Click Here](#)

This floor mount pedal assembly has a brake / clutch / throttle triple pedal design. There are three individual fabricated steel pedals with non-slip pedal pads to control brake, clutch and throttle. Pedal assembly part number [340-12410](#) is for rear engine cars and part number [340-12411](#) is for front engine cars. Both units feature an aluminum frame with strong lightweight fabricated steel pedal arms. The frame and the pedal arms have a black e-coat finish for protection and an attractive appearance.

Also included with the pedal assembly are mounting studs, clevises, and balance bar assembly that is designed to provide smooth and accurate settings of the brake pedal bias. The balance bar can be set and locked down with the jam nut, or attached to a remote cable for quick on-track adjustments. The pedal assembly provides a 5.25 to 1 nominal ratio.

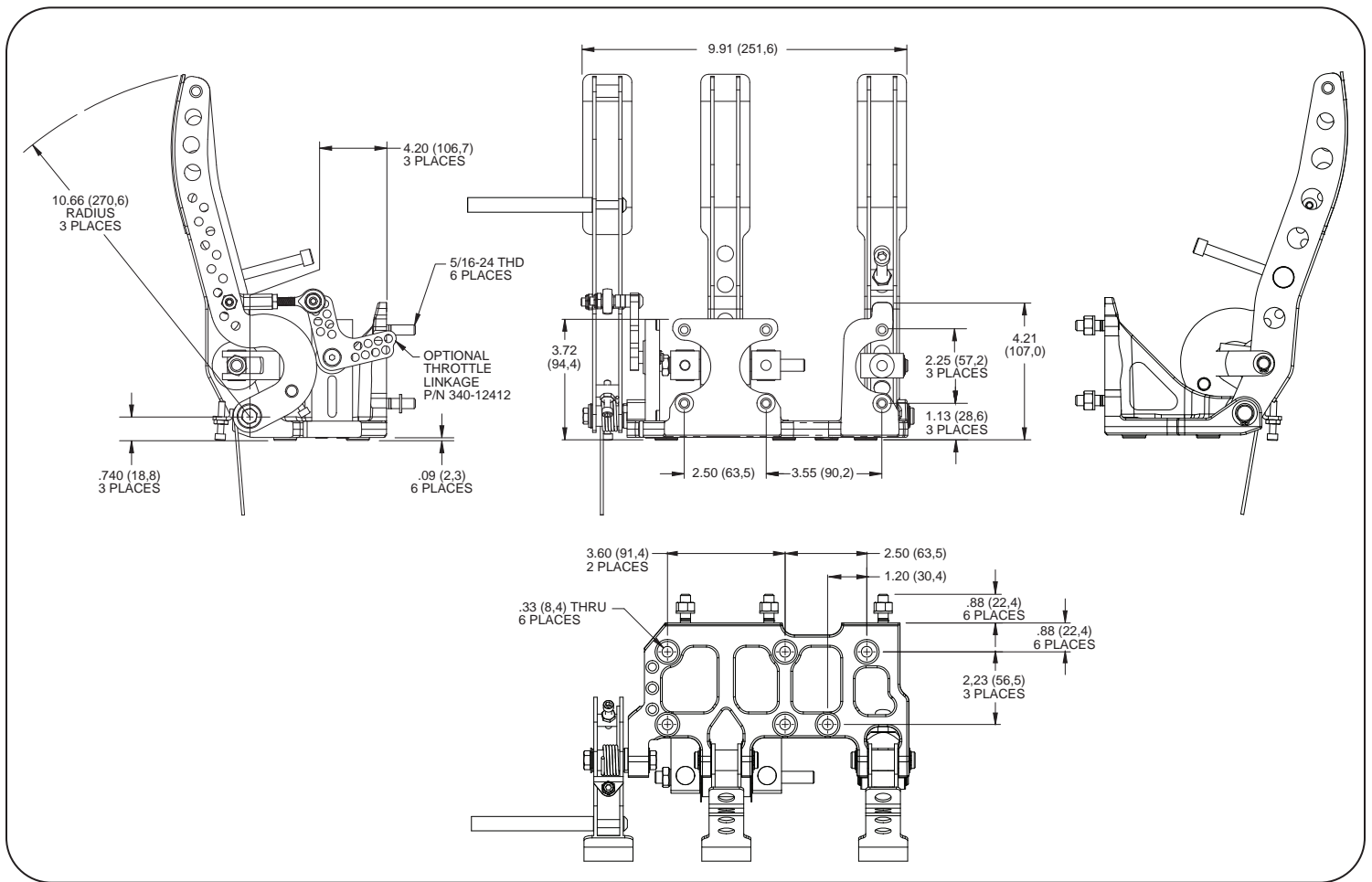
Assembly Instructions:

Pedal assembly part number 340-12410 requires the customer to do the final assembly of the throttle pedal to the main pedal assembly. Kit part number 340-12411 requires using the same procedure as part number 340-12410 with the additional step of installing the throttle linkage assembly, part number 340-12412 that is necessary for front engine vehicles.

The [master cylinders](#) and the brake pedal are sold separately.

ORDERING INFORMATION:

<u>DESCRIPTION</u>	<u>PART NUMBER</u>
Triple Pedal Assembly for Rear Engine Cars	340-12410
Triple Pedal Assembly with Throttle Linkage for Front Engine Cars	340-12411
Throttle Linkage for Front Engine Pedal Assembly	340-12412



Floor Mount Triple Pedal Assembly, Physical Dimensions (shown with optional throttle assembly)



Need additional information - fast? Utilizing your Smartphone, scan the image at the left to jump to our web site. This code takes you to our home page and social media sites where information is just a click away, [or click here.](#)