



GP 310 MOTORCYCLE CALIPER

[For more information](#)

Wilwood Engineering has recently introduced a new line of billet disc brake calipers designed and engineered specifically for 2008 – present Harley-Davidson® Motorcycles.

Built around a 4-piston, high performance powerhouse, these billet aluminum calipers bring distinctive, bolt-on styling: Direct leg-mounted calipers are available for all single and dual disc models (except Springer models).

The GP 310 caliper is available in polished, brilliant chrome or black finishes, with the added performance characteristics found in Wilwood's racing calipers: Stainless steel pistons to reduce brake fade while resisting corrosion. High temperature piston seals extend life, control retraction, and offer drag free operation. Additional features include chrome bleed screws and hardware, exclusive pad anti-rattle clip, and [brake pads](#) designed to operate in the widest range of temperatures and environments, utilizing our industry leading friction material, which is compatible with stainless steel rotors.

All of Wilwood's performance [brake calipers](#) are loaded with cutting edge technology built on decades of domination in world motorsports. This caliper will not only exceed your braking demands, but also enhance the appearance of your Harley.

Wilwood also offers a complete line of GP 310 calipers for earlier models of Harley-Davidson® Motorcycles. [For more information.](#)



[Download High Resolution Photo](#)



[Download High Resolution Photo](#)

NOTE:

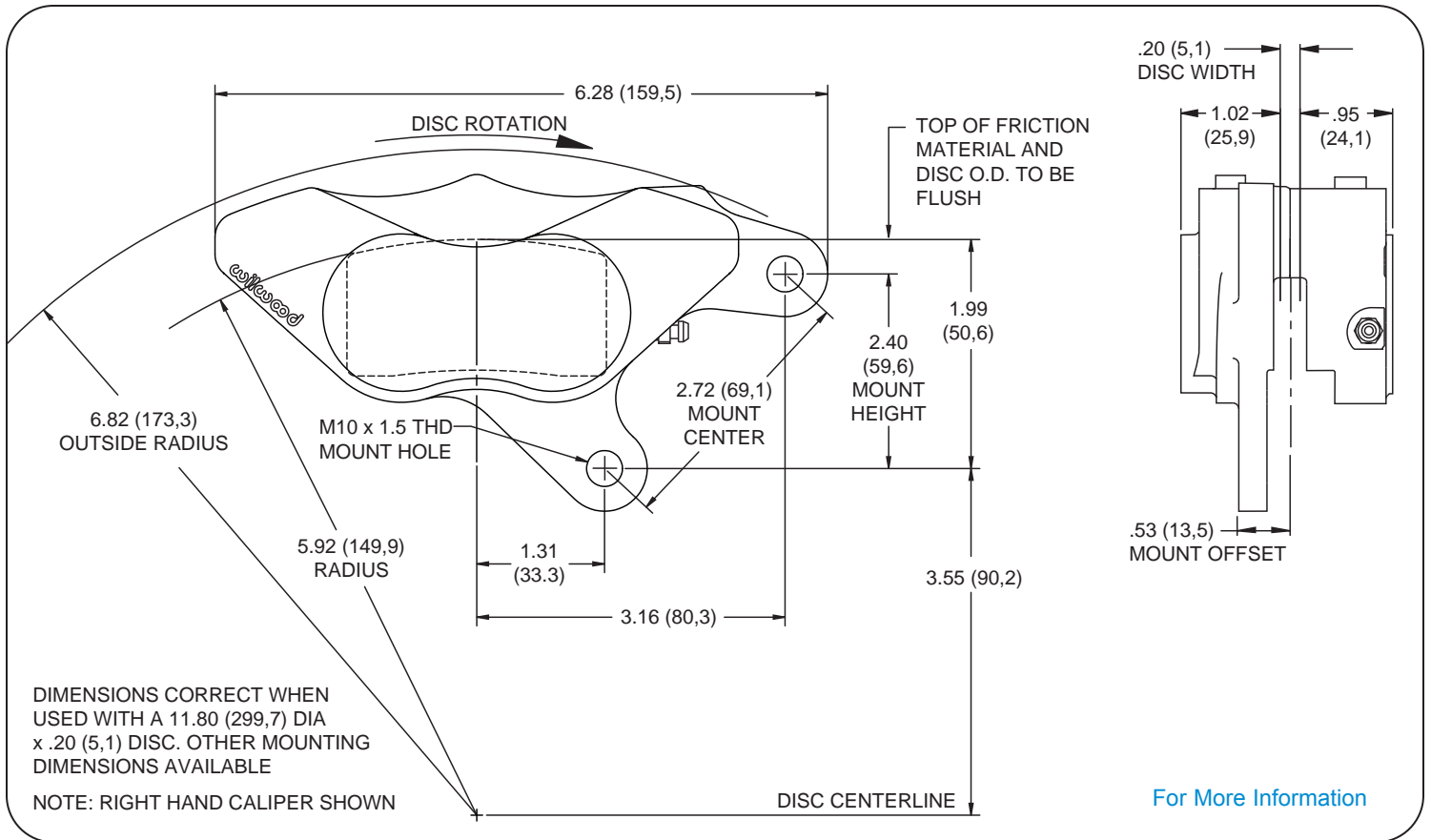
HARLEY-DAVIDSON® MOTORCYCLES SPECIFIES USE OF DOT 5 SILICONE BRAKE FLUID BECAUSE OF ITS MINIMIZED IMPACT ON PAINTED SURFACES. WILWOOD DISC BRAKE CALIPERS WILL WORK WITH EITHER FLUID, **BUT NEVER** MIX DOT 5 SILICONE BRAKE FLUID WITH DOT 3, 4, OR 5.1 FLUIDS. [LEARN MORE ABOUT BRAKE FLUID.](#)

To download a high resolution photo of these products, please go to our FTP location:

<ftp://ftp.wilwood.com> • Username: advert • Password: photos

Path: Calipers / GP 310 Front Caliper.tif

Path: Calipers / GP 310 Left Front Black Caliper.tif



Caliper Dimensional Characteristics

ORDERING INFORMATION - CALIPERS:

DESCRIPTION		POLISHED	CHROME	BLACK
Front Left Hand Caliper (single)	2008-Present	120-12117-P	120-12117	120-12117-BK
Front Right Hand Caliper	2008-Present	120-12116-P	120-12116	120-12116-BK

[For More Information](#)

ORDERING INFORMATION - SERVICE PARTS:

DESCRIPTION	PART NUMBER
GP 310 Brake Pads (caliper set)	150-8733-2
GP 310 Seal Kit	130-3602

[For More Information](#)



Need additional information - fast? Utilizing your Smartphone, scan the image at the left to jump to our web site. This code takes you to our home page and social media sites where information is just a click away, [or click here.](#)