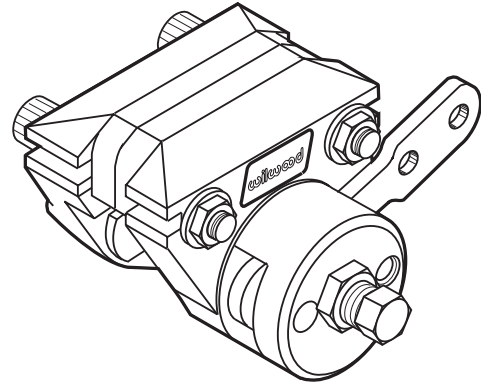




MECHANICAL SPOT CALIPER

Caliper Highlights:

Our single piston floating **Mechanical Spot Caliper** is compact, lightweight and widely used in Parking Brake, Karting, Sport Utility Vehicles and Light Industrial applications. Its two position, cam-actuated lever permits right or left, front or rear mounting, and accommodates two settings for leverage adjustment. The 1.2 pound **Mechanical Spot** fits rotors with diameters from 6.00" to 13.00", thickness from .25", and is supplied with pads installed. The caliper is available black or polished.

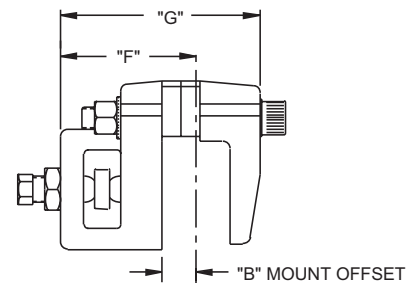
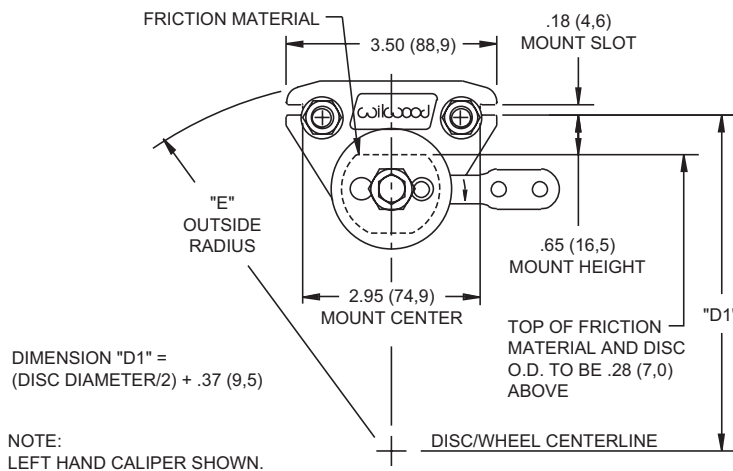


ORDERING INFORMATION:

BORE SIZE		DISC WIDTH		PART NUMBER	RH / LH
1.62"	41,3 mm	.81"	20,6 mm	120-2280(P)	RH
1.62"	41,3 mm	.81"	20,6 mm	120-2281(P)	LH
1.62"	41,3 mm	.50"	12,7 mm	120-2373(P)	RH
1.62"	41,3 mm	.50"	12,7 mm	120-2374(P)	LH
1.62"	41,3 mm	.25"	6,4 mm	120-1360(P)	—

NOTE: (P) AVAILABLE POLISHED, ADD -P TO PART NUMBER WHEN ORDERING

MECHANICAL SPOT CALIPER, MOUNTING DIMENSIONS:



DISC WIDTH	"B" MOUNT OFFSET	"F" INBOARD WIDTH	"G" CALIPER WIDTH
.25 (6,4)	.15 (3,8)	1.85 (47,0)	2.76 (70,1)
.50 (12,7)	.33 (8,4)	2.03 (51,6)	3.07 (78,0)
.81 (20,6)	.48 (12,2)	2.18 (55,4)	3.38 (85,8)

DISC DIAMETER	"E" OUTSIDE RADIUS
12.19 (309,6)	7.14 (181,3)

ORDERING INFORMATION: USER SERVICEABLE COMPONENTS:

ASSEMBLY	INBOARD BODY	OUTBOARD BODY	SPACER	LEVER	PAD BACK PLATE	ACTIVATOR PIN	ADJUSTING BOLT
120-1360	110-2417	110-2418	—	110-2419	150-2421	230-2424	230-2425
120-2280	110-2417	110-2418	300-2239	110-2419	150-2421	230-2424	230-2425
120-2281	110-2417	110-2418	300-2239	110-2419	150-2421	230-2424	230-2425
120-2373	110-2417	110-2418	300-2239	110-2419	150-2421	230-2424	230-2425
120-2374	110-2417	110-2418	300-2239	110-2419	150-2421	230-2424	230-2425