

Aero6-DM "Direct-Mount" Brake Kits

- ✓ 2005-23 **Toyota Tacoma**
- ✓ 2003-14 **Toyota 4Runner**

Wilwood's **Aero6-DM** direct-mounted caliper brake kits are designed to fit 2005-23 Toyota Tacoma, and 2003-14 4Runner trucks with 17" or larger wheels. Upgrade your fixed-mount, cast-iron four piston calipers and stock rotors to Wilwood's direct-mount, net-forged six piston calipers and premium iron alloy one-piece rotors to improve performance and pedal feel.

Designed to fit under most factory and aftermarket wheels 17" and larger, providing better thermal capability for high-demand driving, and consistent pedal pressure for towing, commercial applications, spirited driving, and off-road use.

KIT FEATURES:

- Directly mounts to factory spindles and hubs without the need for additional brackets
- Provides greater brake torque and increased thermal stability, yet fits behind most 17" and larger wheels

CALIPERS: AERO6-DM

- Stress-flow forged aluminum Aerolite calipers are engineered for direct-mounting with six differential bore pistons for more even clamping force, and closed bridge for minimal deflection
- Compatible with the factory master cylinder, ABS and all electronic controls
- Calipers available in gloss black or red powder coat, or 24 additional color options (additional charges may apply)

ROTORS: GTB Slotted or SRP Drilled & Slotted

- 13.31" x 1.26" premium-grade, long-grain carbon iron alloy 68 vane vented rotors
- Rotors are E-coated, choose GTB slotted, or SRP drilled and slotted

BRAKE PADS: SmartPad® BP-Q

- New "Q" ceramic-based, dual-sport SmartPad for everyday street or performance driving (additional compounds available)

INSTALLATION PARTS:

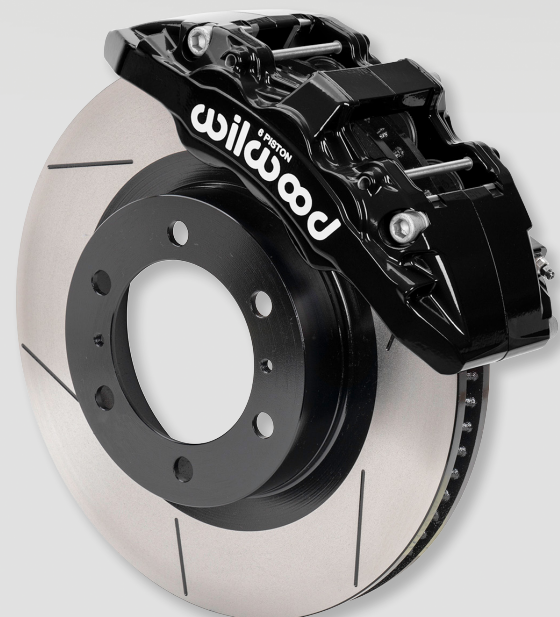
- Stainless steel Flexlines and premium-grade hardware included



**Aero6-DM Six Piston Brake Kit
13.31" SRP Drilled & Slotted Rotor**



**26 COLOR
OPTIONS
AVAILABLE**
*Additional charges may apply.



**Aero6-DM Six Piston Brake Kit
13.31" GTB Slotted Rotor**

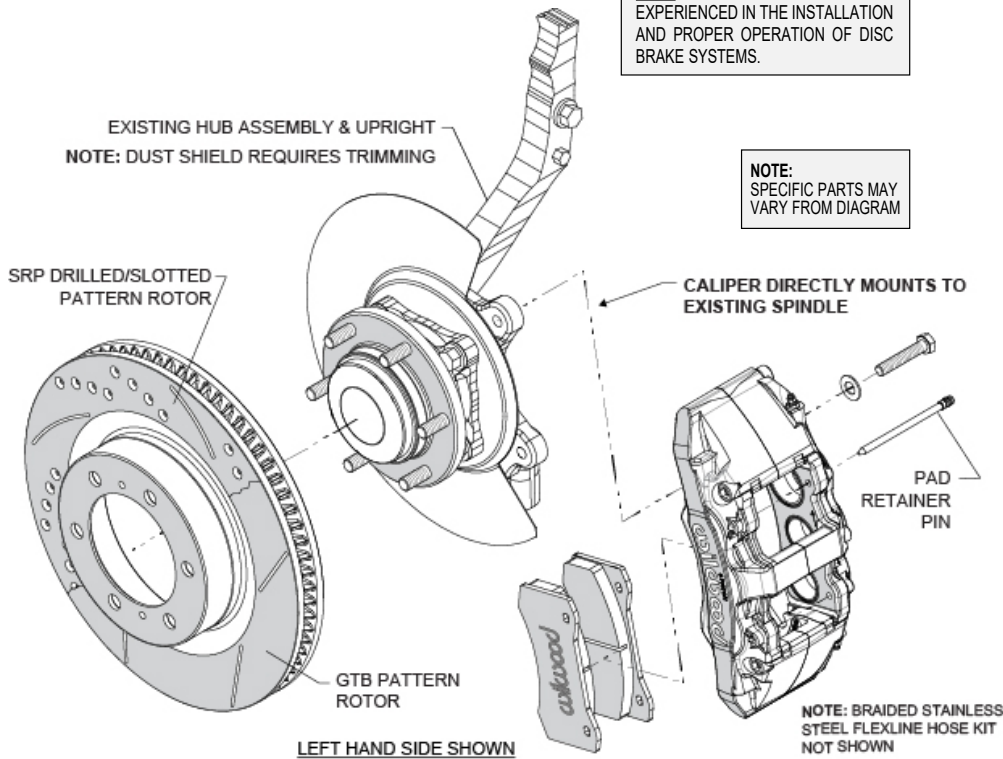
Aero6-DM "Direct-Mount" Brake Kits

- ✓ 2005-23 **Toyota Tacoma**
- ✓ 2003-14 **Toyota 4Runner**

TYPICAL INSTALLATION CONFIGURATION

WARNING
INSTALLATION OF THIS KIT SHOULD **ONLY** BE PERFORMED BY PERSONS EXPERIENCED IN THE INSTALLATION AND PROPER OPERATION OF DISC BRAKE SYSTEMS.

NOTE:
SPECIFIC PARTS MAY VARY FROM DIAGRAM



ORDERING INFO: PH: 805.388.1188 • FAX: 805.388.4938 • wilwood.com • info@wilwood.com

BLACK	RED	DESCRIPTION	CALIPER TYPE	ROTOR TYPE	ROTOR SIZE
140-17511	140-17511-R	Kit, Front Aero6-DM, 2005-23 Tacoma, 2003-14 4Runner	Aerolite 6 Piston Direct-Mount	GTB Slotted	13.31" x 1.26"
140-17511-D	140-17511-DR	Kit, Front Aero6-DM, 2005-23 Tacoma, 2003-14 4Runner	Aerolite 6 Piston Direct-Mount	SRP Drilled & Slotted	13.31" x 1.26"