

Rear 5- and 6-lug Disc Brake Kits for **1963-87 Chevy C10** and **GMC C15** Trucks

Classic Chevy/GMC trucks and SUVs are popular vintage vehicles that can cruise the boulevard Saturday night and still pick up lumber on Sunday afternoon. Because of their dual-purpose nature, Wilwood engineered brake kits to fit popular five-lug wheel patterns, and the six-lug truck bolt pattern, to match the needs of your build.

These rear kits perfectly complement available Wilwood front kits including those for the 2.50" drop ProSpindle. Precisely engineered to install with no machining or further modifications.

- Available in 5 x 4.75"/5.00" or 6 x 5.50" bolt patterns
- DynaPro caliper kit with 11.00" x 0.81" rotor fits some 14" diameter wheels
- Dyalite caliper kit with 12.19" x 0.81" rotor fits most 15" or larger diameter wheels
- Hidden internal drum-type parking brake mechanism
- Precision-machined, high-strength brackets engineered specifically for the C10 truck axle flange
- Forged aluminum, four piston calipers available in gloss black and red powder coat, or 22 additional color options (additional charges apply)
- Choose 32-vane vented high friction iron rotors in plain face or SRP drilled and slotted
- Kits include high-performance, fade-resistant **SmartPad** BP-10 compound brake pads (other compounds available)



Dynalite 12.19" Rear Disc / Drum Kit
P/N 140-10094 (Chevy C10 5-lug)



DynaPro 11.00" Rear Disc / Drum Kit
P/N 140-16711 (Chevy C10 6-lug)



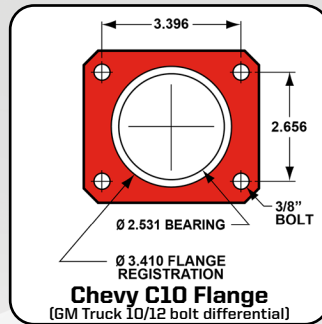
(Additional charges may apply)

Rear 5- and 6-lug Disc Brake Kits for **1963-87 Chevy C10 and GMC C15 Trucks**

DYNAPRO 11.00"



140-11385-DR 5 lug
140-16711-DR 6-lug (pictured)



DYNALITE 12.19"



140-10094-DR 5-lug (pictured)
140-16712-DR 6-lug



140-11385 5-lug
140-16711 6-lug



140-11385-D 5-lug
140-16711-D 6-lug



140-11385-R 5-lug
140-16711-R 6-lug



140-10094 5-lug
140-16712 6-lug



140-10094-D 5-lug
140-16712-D 6-lug



140-10094-R 5-lug
140-16712-R 6-lug

ORDERING INFO: PH: 805.388.1188 • FAX: 805.388.4938 • wilwood.com • info@wilwood.com

PART NUMBER	DESCRIPTION	CALIPER TYPE	CALIPER FINISH	ROTOR	ROTOR TYPE
140-10094	Forged 4 piston caliper, 32-vane vented rotor	Dynalite FDLI	Black powder coat	5-lug 12.19" x 0.81"	Plain face
140-10094-R	Forged 4 piston caliper, 32-vane vented rotor	Dynalite FDLI	Red powder coat	5-lug 12.19" x 0.81"	Plain face
140-10094-D	Forged 4 piston caliper, 32-vane vented rotor	Dynalite FDLI	Black powder coat	5-lug 12.19" x 0.81"	SRP drilled & slotted
140-10094-DR	Forged 4 piston caliper, 32-vane vented rotor	Dynalite FDLI	Red powder coat	5-lug 12.19" x 0.81"	SRP drilled & slotted
140-11385	Forged 4 piston low-profile caliper, 32-vane vented rotor	DynaPro FDPLP	Black powder coat	5-lug 11.00" x 0.81"	Plain face
140-11385-R	Forged 4 piston low-profile caliper, 32-vane vented rotor	DynaPro FDPLP	Red powder coat	5-lug 11.00" x 0.81"	Plain face
140-11385-D	Forged 4 piston low-profile caliper, 32-vane vented rotor	DynaPro FDPLP	Black powder coat	5-lug 11.00" x 0.81"	SRP drilled & slotted
140-11385-DR	Forged 4 piston low-profile caliper, 32-vane vented rotor	DynaPro FDPLP	Red powder coat	5-lug 11.00" x 0.81"	SRP drilled & slotted
140-16711	Forged 4 piston low-profile caliper, 32-vane vented rotor	DynaPro FDPLP	Black powder coat	6-lug 11.00" x 0.81"	Plain face
140-16711-R	Forged 4 piston low-profile caliper, 32-vane vented rotor	DynaPro FDPLP	Red powder coat	6-lug 11.00" x 0.81"	Plain face
140-16711-D	Forged 4 piston low-profile caliper, 32-vane vented rotor	DynaPro FDPLP	Black powder coat	6-lug 11.00" x 0.81"	SRP drilled & slotted
140-16711-DR	Forged 4 piston low-profile caliper, 32-vane vented rotor	DynaPro FDPLP	Red powder coat	6-lug 11.00" x 0.81"	SRP drilled & slotted
140-16712	Forged 4 piston caliper, 32-vane vented rotor	Dynalite FDLI	Black powder coat	6-lug 12.19" x 0.81"	Plain face
140-16712-R	Forged 4 piston caliper, 32-vane vented rotor	Dynalite FDLI	Red powder coat	6-lug 12.19" x 0.81"	Plain face
140-16712-D	Forged 4 piston caliper, 32-vane vented rotor	Dynalite FDLI	Black powder coat	6-lug 12.19" x 0.81"	SRP drilled & slotted
140-16712-DR	Forged 4 piston caliper, 32-vane vented rotor	Dynalite FDLI	Red powder coat	6-lug 12.19" x 0.81"	SRP drilled & slotted