

### Aero6-DM “Direct-Mount” Brake Kits

- ✓ 1999-24 **Chevy Silverado 1500**
- ✓ 1999-24 **GMC Sierra 1500**

Wilwood's new **Aero6-DM** directly-mounted caliper brake kits are designed to fit most factory and aftermarket 17" wheels for Chevrolet Silverado/GMC Sierra 1500, 2WD, and 4WD trucks, and related SUVs. Upgrade earlier 1999-2018 trucks with factory floating calipers and 2019-2024 trucks with factory cast-iron four piston calipers to Wilwood's net-forged aluminum, six piston calipers. Kits include premium iron alloy one-piece rotors to improve performance and pedal feel in your 17" wheels.

Designed and engineered to fit most 17" and larger wheels providing better thermal capability for numerous types of driving, including towing, commercial and off-road use.

#### KIT FEATURES:

- Directly mounts to factory spindles and hubs with no modifications or extra brackets
- Provides greater brake torque and increased thermal stability yet fits behind most 17" wheels and larger

#### CALIPERS: AERO6-DM

- Stress-flow forged aluminum Aerolite calipers are engineered for direct-mounting with six differential bore pistons for more even clamping force, and closed bridge for minimal deflection
- Compatible with the factory master cylinder, ABS and all electronic controls
- Calipers available in gloss black or red powder coat, or 22 additional color options (additional charges may apply)

#### ROTORS: GT or SRP

- 13.38" x 1.25" premium-grade, long-grain carbon iron alloy vented rotors
- Choose GT slotted or SRP drilled and slotted rotors

#### PADS: BP Series “Q” Compound SmartPad®

- New “Q” ceramic-based, dual-sport SmartPad for everyday street or performance driving (additional compounds available)

#### INSTALLATION PARTS:

- Stainless steel flexlines and premium-grade hardware included



**Aero6-DM Six Piston Brake Kit  
13.38" GT Slotted Rotor**



Additional charges may apply



**Aero6-DM Six Piston Brake Kit  
13.38" SRP Drilled & Slotted Rotor**

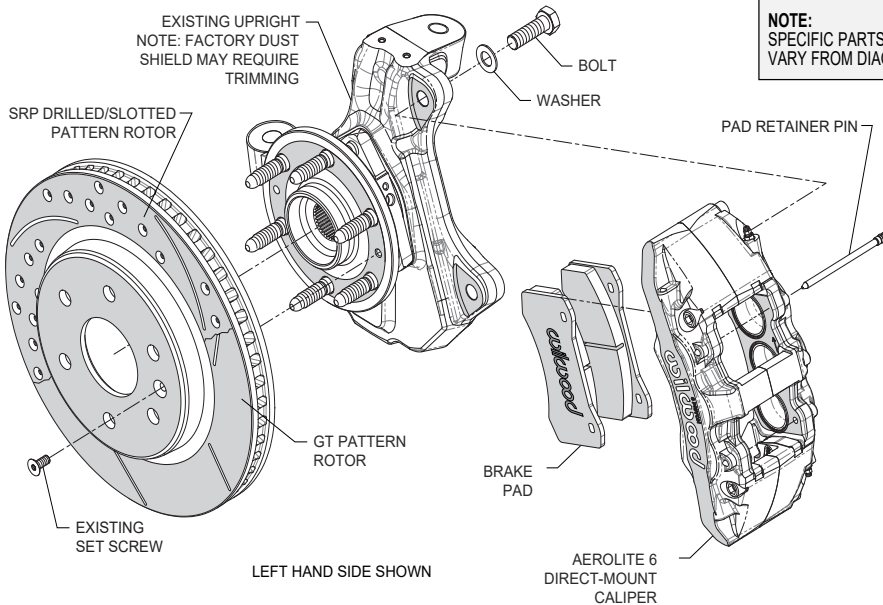
### Aero6-DM "Direct-Mount" Brake Kits

1999-24 **Chevy Silverado 1500**, 1999-24 **GMC Sierra 1500**

#### TYPICAL INSTALLATION CONFIGURATION

**WARNING**  
INSTALLATION OF THIS KIT SHOULD **ONLY** BE PERFORMED BY PERSONS EXPERIENCED IN THE INSTALLATION AND PROPER OPERATION OF DISC BRAKE SYSTEMS.

**NOTE:**  
SPECIFIC PARTS MAY VARY FROM DIAGRAM



ORDERING INFO: PH: 805.388.1188 • FAX: 805.388.4938 • [wilwood.com](http://wilwood.com) • [info@wilwood.com](mailto:info@wilwood.com)

BLACK	RED	DESCRIPTION	CALIPER TYPE	ROTOR TYPE	ROTOR SIZE
<a href="#">140-16803</a>	<a href="#">140-16803-R</a>	Kit, Front Aero6-DM, GM 1500 Trucks '99-06	Aerolite 6 Piston Direct-Mount	GT Slotted	13.38" x 1.25"
<a href="#">140-16803-D</a>	<a href="#">140-16803-DR</a>	Kit, Front Aero6-DM, GM 1500 Trucks '99-06	Aerolite 6 Piston Direct-Mount	SRP Drilled & Slotted	13.38" x 1.25"
<a href="#">140-16804</a>	<a href="#">140-16804-R</a>	Kit, Front Aero6-DM, GM 1500 Trucks '07-18	Aerolite 6 Piston Direct-Mount	GT Slotted	13.38" x 1.25"
<a href="#">140-16804-D</a>	<a href="#">140-16804-DR</a>	Kit, Front Aero6-DM, GM 1500 Trucks '07-18	Aerolite 6 Piston Direct-Mount	SRP Drilled & Slotted	13.38" x 1.25"
<a href="#">140-16805</a>	<a href="#">140-16805-R</a>	Kit, Front Aero6-DM, GM 1500 Trucks '19-24	Aerolite 6 Piston Direct-Mount	GT Slotted	13.38" x 1.25"
<a href="#">140-16805-D</a>	<a href="#">140-16805-DR</a>	Kit, Front Aero6-DM, GM 1500 Trucks '19-24	Aerolite 6 Piston Direct-Mount	SRP Drilled & Slotted	13.38" x 1.25"