

wilwood **DISC BRAKES**

FORD SN-95 MUSTANG

1994-2004

AERO6 BIG BRAKE KITS



SN-95 Mustang

Now it is easy to give the SN-95 and New Edge Ford Mustangs the braking capacity needed to match upgraded handling and power being added. Aero6 big brake kits feature Aerolite calipers and huge rotors for 1994-2004 Ford Mustangs and earlier cars updated to SN-95 hubs and spindles.

Engineered for heavy, high-powered vehicles and high-speed street or track use.

- Stress-flow forged aluminum Aerolite calipers with six differential bore pistons for more even clamping
- Closed bridge and finite element analysis design eliminates caliper deflection and transmits more force to the pads
- Big 14.00" x 1.25" vented rotors with 72 directional vanes to shed heat
- Fits most 18" wheels and larger
- Proprietary **Spec37** iron alloy with greater friction and increased thermal stability
- Lightweight forged aluminum mounting hats and caliper brackets
- Choose GT slotted or SRP drilled and slotted rotors
- Calipers available in gloss black and red powder coat, or 22 additional color options (additional charges may apply)
- High-performance, fade-resistant **SmartPad** BP-20 compound brake pads included (additional compounds available for different uses)

Aero6 Big Brake Kits

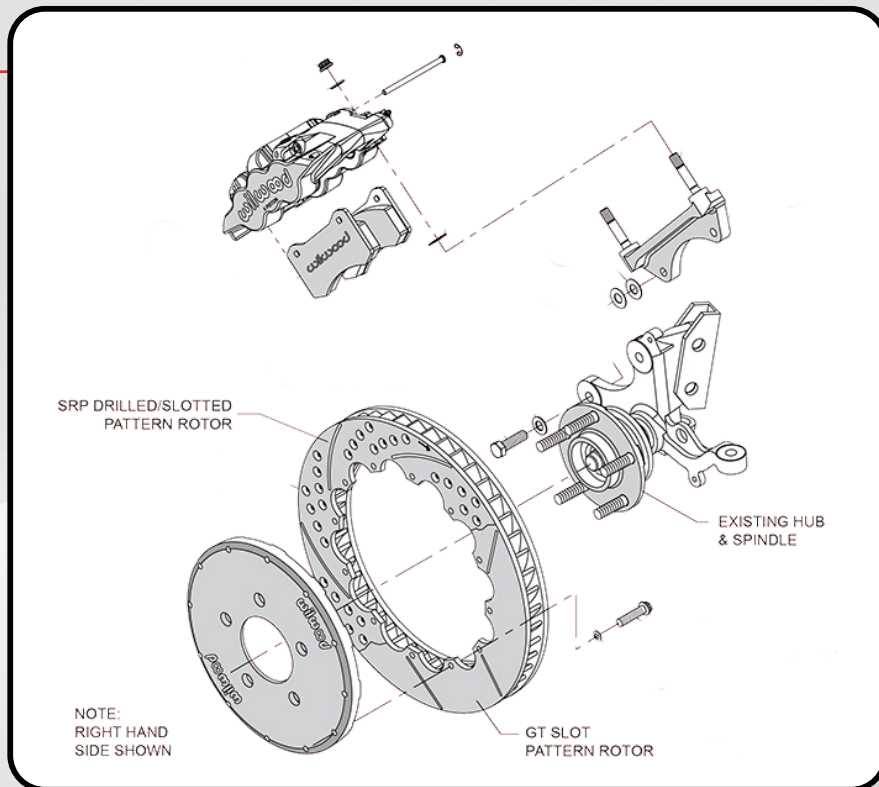


Aerolite 14.00" Big Brake Kit
P/N 140-16403-DR (SN-95 Mustang)

**24 COLOR
OPTIONS
AVAILABLE**
Additional charges may apply



Aero6 Big Brake Kits for FORD 1994-2004 SN-95 Mustang



P/N 140-16403



P/N 140-16403-R



P/N 140-16403-D



P/N 140-16403-DR

ORDERING INFO: PH: 805.388.1188 • FAX: 805.388.4938 • wilwood.com • info@wilwood.com

PART NUMBER	DESCRIPTION	CALIPER TYPE	CALIPER FINISH	ROTOR SIZE	ROTOR TYPE
140-16403	Forged 6 Piston Aerolite Caliper, GT 72 Vane Vented Slotted Rotor	Aerolite AERO6	Black Powder Coat	14.00" x 1.25"	GT Slotted
140-16403-R	Forged 6 Piston Aerolite Caliper, GT 72 Vane Vented Slotted Rotor	Aerolite AERO6	Red Powder Coat	14.00" x 1.25"	GT Slotted
140-16403-D	Forged 6 Piston Aerolite Caliper, SRP 72 Vane Vented Drilled & Slotted Rotor	Aerolite AERO6	Black Powder Coat	14.00" x 1.25"	SRP Drilled & Slotted
140-16403-DR	Forged 6 Piston Aerolite Caliper, SRP 72 Vane Vented Drilled & Slotted Rotor	Aerolite AERO6	Red Powder Coat	14.00" x 1.25"	SRP Drilled & Slotted