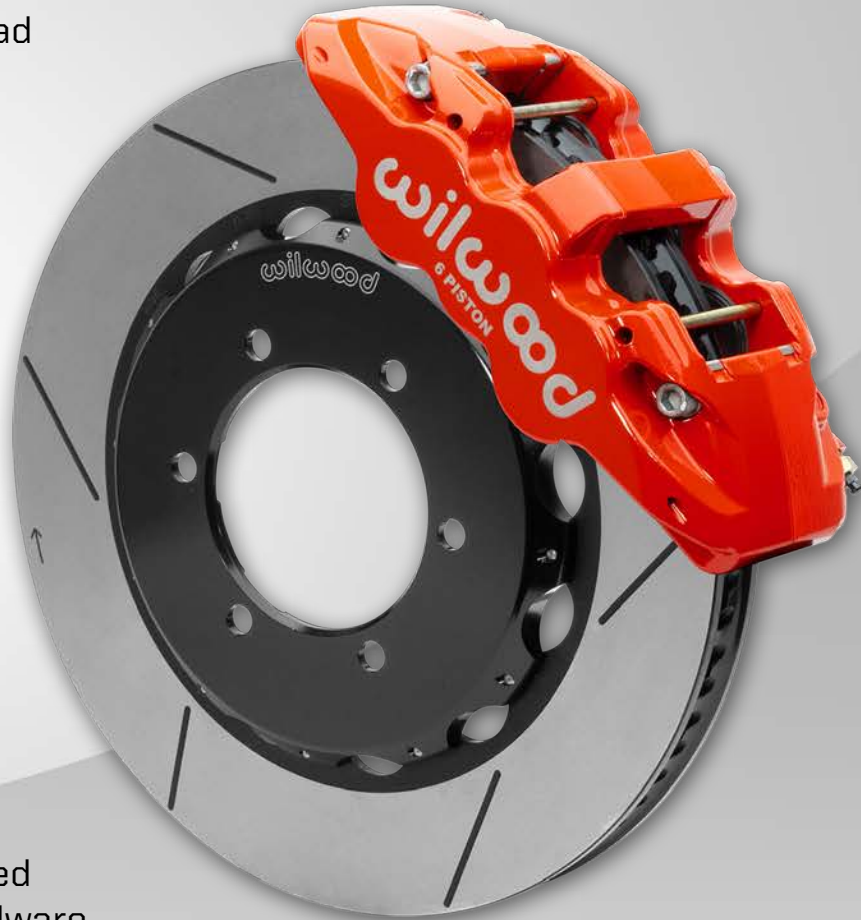


- High-capacity front brake upgrade kit for use with OE spindles for heavy-duty highway, off-road and towing applications
- Aerolite 6R six piston forged aluminum radial mount calipers with stainless steel pistons, internal bore seals, and bolt-on brackets
- Piston volumes matched to modern electronics, ABS and OEM master cylinder output
- Two-piece rotor and aluminum hat mount to OE axle hubs
- 14.25" diameter GT-72 curved vane **Spec37** slotted iron rotors
- DOT approved 12" stainless steel braided flexline hoses, mounting brackets, hardware, and illustrated instruction guide included
- High-response, fade-resistant, long-wear BP-20 *SmartPads*



Calipers available in red or black powder coat, or 22 additional color options

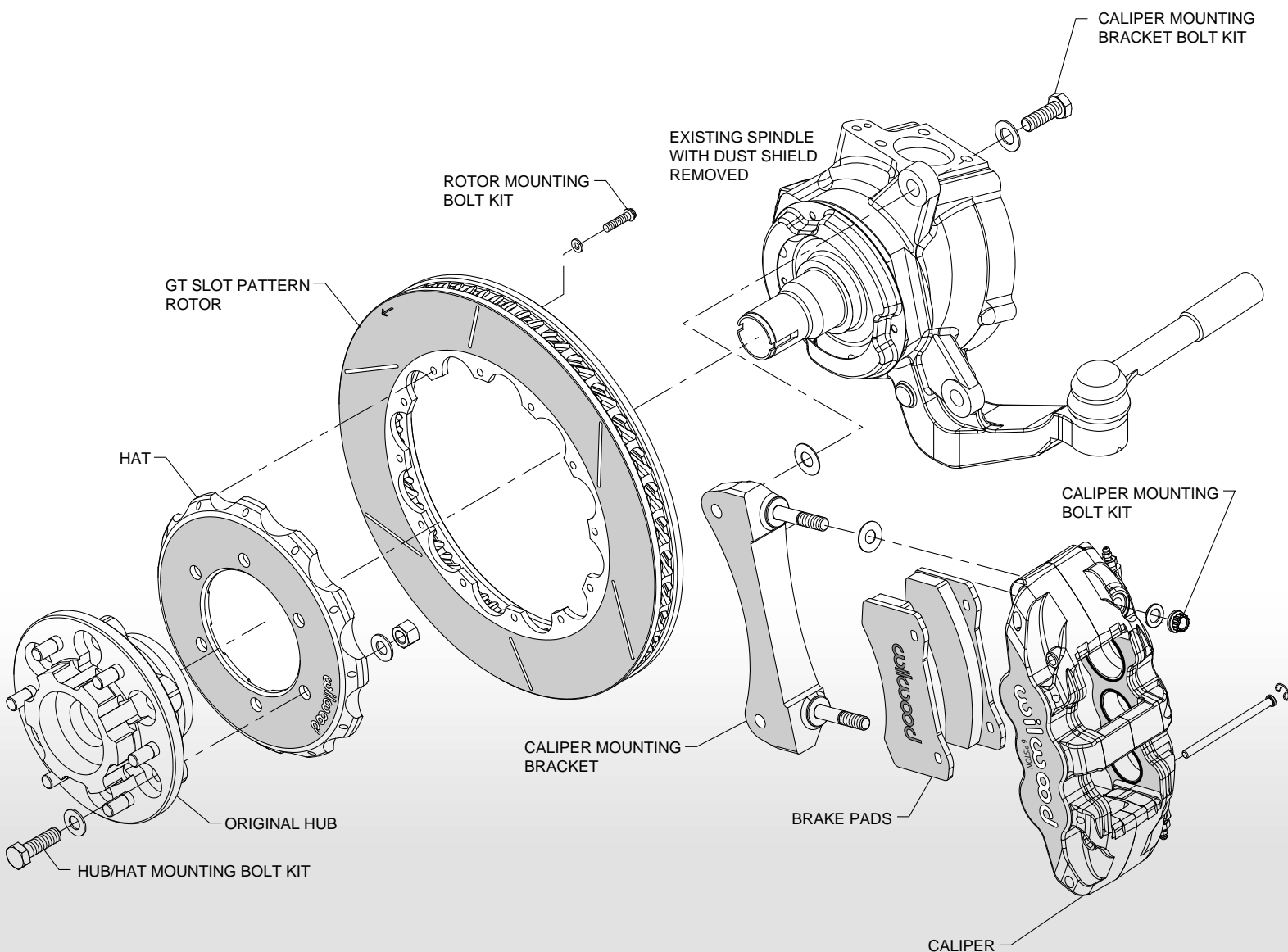


Figure 1. Aerolite 6R Big Brake Front Brake Kit

PLEASE CHECK: WILWOOD ALWAYS RECOMMENDS CHECKING WWW.WILWOOD.COM FOR COMPLETE YEAR/MAKE/MODEL APPLICATION DATA AND SPECIFIC WHEEL CLEARANCE REQUIREMENTS

ORDERING INFORMATION: Nissan Y61 Patrol Vehicle Big Front Brake Kit

PART NUMBER	DESCRIPTION	CALIPER FINISH
140-15525	Aerolite 6R Calipers, 14.25" Spec37 GT Slotted Rotors	Black Powder Coat
140-15525-R	Aerolite 6R Calipers, 14.25" Spec37 GT Slotted Rotors	Red Powder Coat