

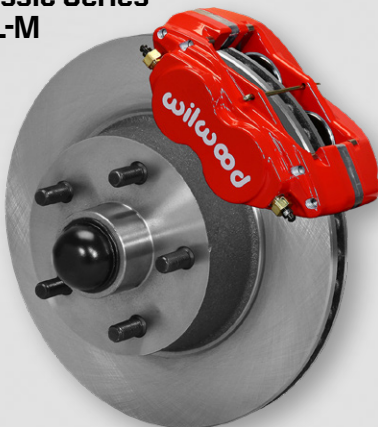
### 2" DROP PROSPINDLE AND FRONT DISC BRAKES

#### UPDATE YOUR CLASSIC GM MUSCLE CAR WITH 21ST CENTURY HANDLING AND BRAKING.

- High-strength steel ProSpindles lower ride height 2" for less body roll and improved looks
- 1.6" taller body improves camber curve and caster gain for improved grip
- Utilizes OE ball joints and steering arms with stock or aftermarket tubular control arms
- Brake kit options include Classic Series Dynalite, DynaPro 4R four piston, or Superlite 6R six piston radial mount calipers in 24 color options
- Choose from 11.00" to 14.00" diameter SRP drilled and slotted, Ultralite HP smooth face or GT competition-style rotors
- Spindle kits include right and left spindles with bolt kit for OE steering arm installation
- Brake kits include calipers, rotors, hubs, pads, bearings, seals, wheel studs, brackets, and premium hardware



**Classic Series  
FDL-M**



**DynaPro 4R**



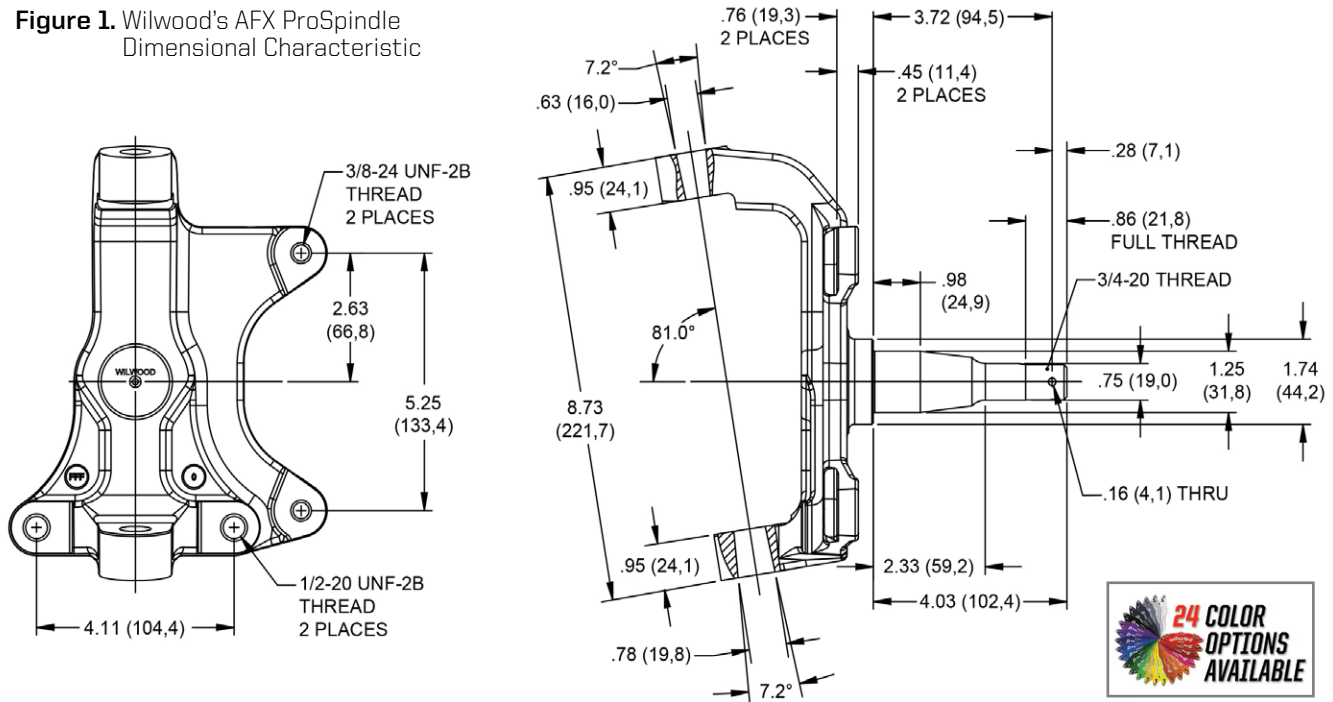
**Superlite 6R**



**NOTE:** Installation requires a steel braided Flexline kit sold separately by specific year, make, model

### 2" DROP PROSPINDLE AND FRONT DISC BRAKES

**Figure 1.** Wilwood's AFX ProSpindle Dimensional Characteristic



**NOTE:** Wilwood always recommends checking [wilwood.com](http://wilwood.com) for complete year/make/model application and specific wheel clearance requirements.

**ORDERING INFORMATION:** PH: 805.388.1188 • FAX: 805.388.4938 • [wilwood.com](http://wilwood.com) • [info@wilwood.com](mailto:info@wilwood.com)

PART NUMBER	DESCRIPTION	CALIPER FINISH
<a href="#">831-15890</a>	AFX ProSpindle Kit, GM - A,F or X Body, Right and Left, less steering arms	N/A
<a href="#">140-15908</a>	Forged Dynalite Calipers, 11.00" One Piece HP Hub and Rotor	Black Powder Coat
<a href="#">140-15908-R</a>	Forged Dynalite Calipers, 11.00" One Piece HP Hub and Rotor	Red Powder Coat
<a href="#">140-15909</a>	DynaPro 4R Calipers, 11.75" Ultralite HP Rotors	Black Powder Coat
<a href="#">140-15909-D</a>	DynaPro 4R Calipers, 11.75" SRP Drilled And Slotted Rotors	Black Powder Coat
<a href="#">140-15909-DR</a>	DynaPro 4R Calipers, 11.75" SRP Drilled And Slotted Rotors	Red Powder Coat
<a href="#">140-15909-R</a>	DynaPro 4R Calipers, 11.75" Ultralite HP Rotors	Red Powder Coat
<a href="#">140-15910</a>	Superlite 6R Calipers, 12.88" <b>Spec37</b> GT Competition Series Rotors	Black Powder Coat
<a href="#">140-15910-D</a>	Superlite 6R Calipers, 12.88" <b>Spec37</b> SRP Drilled And Slotted Rotors	Black Powder Coat
<a href="#">140-15910-DR</a>	Superlite 6R Calipers, 12.88" <b>Spec37</b> SRP Drilled And Slotted Rotors	Red Powder Coat
<a href="#">140-15910-R</a>	Superlite 6R Calipers, 12.88" <b>Spec37</b> GT Competition Series Rotors	Red Powder Coat
<a href="#">140-15911</a>	Superlite 6R Calipers, 14.00" <b>Spec37</b> GT Competition Series Rotors	Black Powder Coat
<a href="#">140-15911-D</a>	Superlite 6R Calipers, 14.00" <b>Spec37</b> SRP Drilled And Slotted Rotors	Black Powder Coat
<a href="#">140-15911-DR</a>	Superlite 6R Calipers, 14.00" <b>Spec37</b> SRP Drilled And Slotted Rotors	Red Powder Coat
<a href="#">140-15911-R</a>	Superlite 6R Calipers, 14.00" <b>Spec37</b> GT Competition Series Rotors	Red Powder Coat