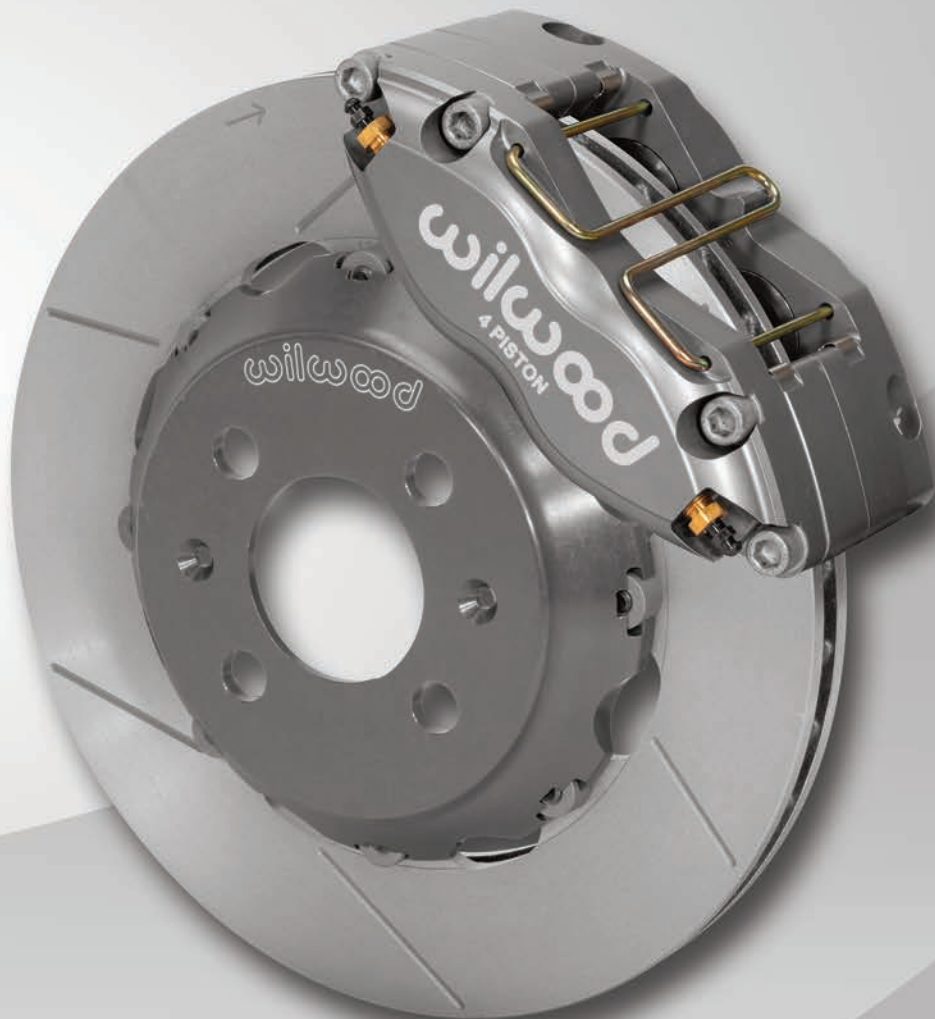


DynaPro 4R/ST Road Race brake kits are engineered application-specific to ease installation on production chassis vehicles, with the purpose of providing the ultimate in durability, high efficiency heat management, and championship-proven performance in extreme on-track competition.



KIT FEATURES



- DynaPro 4R/ST competition calipers with forged aluminum bodies, hard anodize finish, and internal spring-dampened Thermlock® pistons
- **Spec37** alloy GT 11.75" (298.5 mm) directional curved vane rotors dynamically mount to the OEM hubs with aluminum hats and t-nuts
- Caliper piston volumes matched to the factory hydraulics, with full compatibility to the ABS and all-dynamic electronic controls
- Radial mount brackets attach the calipers to the spindles in the stock location ensuring a secure and precise fit
- High endurance, smooth engagement, linear friction curve, racing formula BP-30 compound *SmartPads*
- DOT approved stainless steel braided flexlines are available and may be ordered separately

Note: Check www.wilwood.com for complete year/make/model application data and specific wheel clearance requirements.

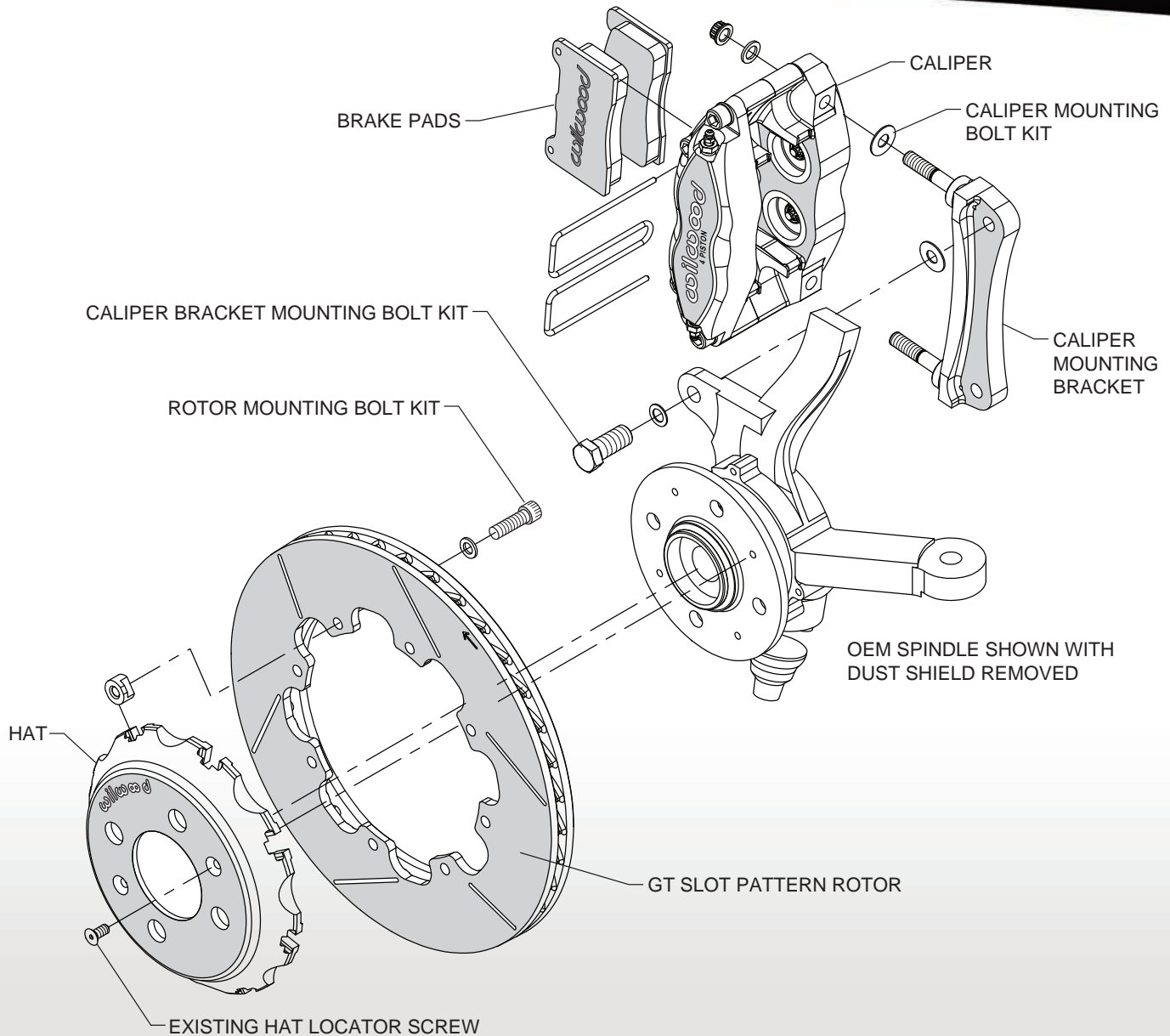


Figure 1. Typical Installation Diagram

PLEASE CHECK: WILWOOD ALWAYS RECOMMENDS CHECKING www.wilwood.com FOR COMPLETE YEAR/MAKE/MODEL APPLICATION DATA AND SPECIFIC WHEEL CLEARANCE REQUIREMENTS.

ORDERING INFORMATION: Front Road Race Brake Kit for the 1990-2005 Integra/Civic

PART NUMBER	DESCRIPTION	CALIPER FINISH
140-14940	DynaPro 4R/ST Calipers, 11.75" (298.5 mm) Spec37 GT Competition Rotors, BP-30 Compound <i>SmartPads</i>	Gray Hard Anodize
220-6420	Braided Stainless Steel Flexline, 1990-2000	N/A
220-6860	Braided Stainless Steel Flexline, 2001-2005	N/A
290-6209	EXP 600 Plus Super Hi-Temp Racing Brake Fluid, 16.9 Ounce, 500ml Bottle, Each	N/A
290-8478	EXP 600 Plus Super Hi-Temp Racing Brake Fluid, 16.9 Ounce, 500ml Bottle, Six Pack	N/A