

*WILWOOD'S FDLi aluminum lug mount calipers are the new generation in the Dynalite caliper series.*

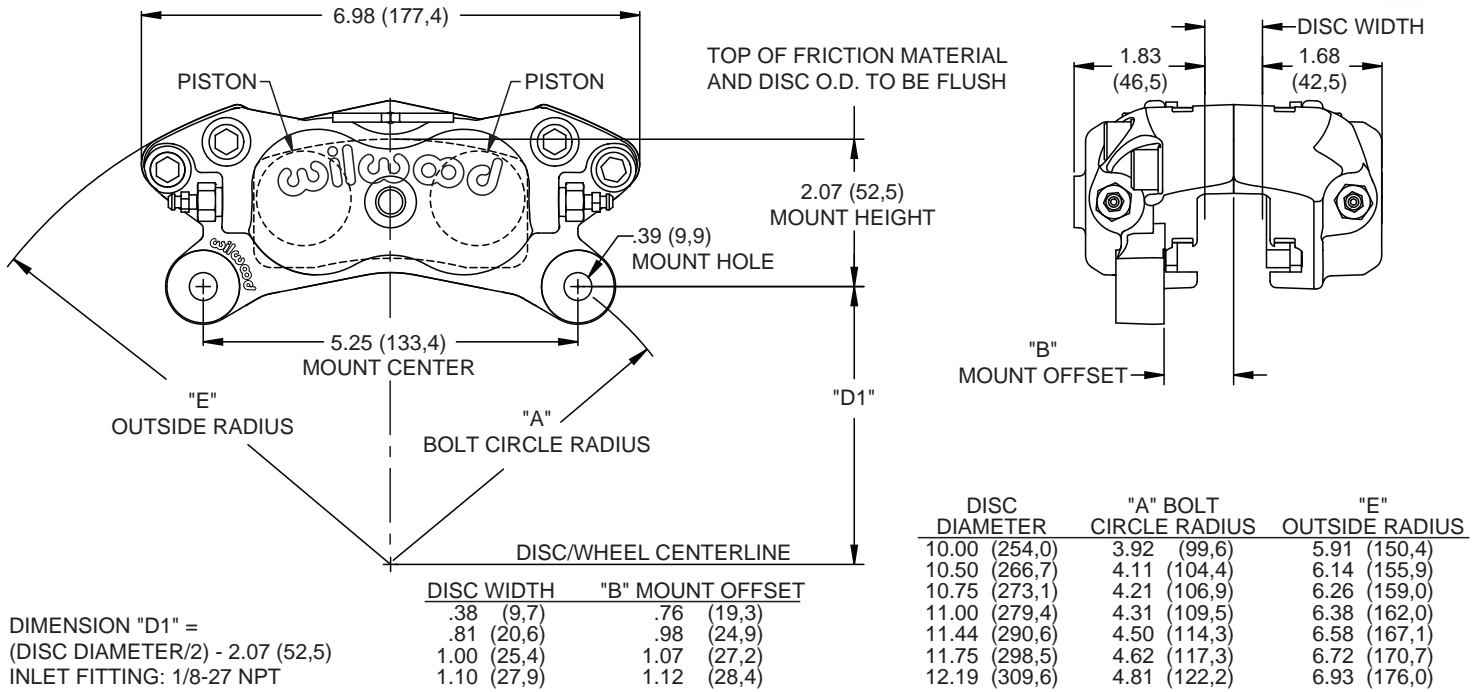
*New innovations in design, structure, and finishing processes make these the strongest, most durable and visually pleasing Dynalite calipers ever built.*



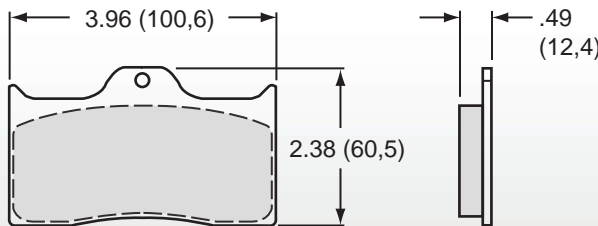
### **CALIPER FEATURES**

- New forging design eliminates bridge spacers and uses larger 3/8" bridge bolts to increase overall resistance to deflection
- More wheel fitment options with increased clearance at the piston body-to-bridge transition
- Piston sizes from 1.12" to 1.75" in widths for .38" to 1.10" rotors
- Type III Mil-Spec hard anodized base finish on all standard and powder coated models increases wear and abrasion resistance
- Stainless steel pistons, controlled retraction internal piston bore seals and stainless bridge wear plates
- External dust seals available in two of the most popular models
- Direct replacement for all earlier 5.25" lug mount Dynalite calipers
- Utilizes the existing type 7112 brake pad plate available in all compounds
- In-stock finishes include gloss red or black powder coat, gray hard anodized, or full bright polished
- 22 other color options available





FDLi Caliper, Dimensional Characteristics



| AXLE SET P/N | PAD TYPE / COMPOUND    |
|--------------|------------------------|
| 15A - 5734K  | 7112 A PolyMatrix      |
| 15B - 3991K  | 7112 B PolyMatrix      |
| 15E - 6096K  | 7112 E PolyMatrix      |
| 15H - 8291K  | 7112 H PolyMatrix      |
| 15Q - 6824K  | 7112 Q PolyMatrix      |
| 150 - 8850K  | 7112 10 BP-10 SmartPad |
| 150 - 9413K  | 7112 20 BP-20 SmartPad |
| 150 - 14771K | 7112 30 BP-30 SmartPad |
| 150 - 12243K | 7112 40 BP-40 SmartPad |

FDLi Caliper, Type 7112 Brake Pad Dimensions and Ordering Information

## ORDERING INFORMATION: Wilwood FDLi Calipers

| CALIPER          | PISTON SIZES | ROTOR WIDTH | HARD ANODIZE PART NUMBER | BLACK POWDER PART NUMBER | RED POWDER PART NUMBER | POLISHED PART NUMBER |
|------------------|--------------|-------------|--------------------------|--------------------------|------------------------|----------------------|
| FDLi             | 1.75 / 1.75" | 1.10"       | 120-13846                | 120-13846-BK             | 120-13846-RD           | N/A                  |
| FDLi             | 1.75 / 1.75" | 1.00"       | N/A                      | 120-13845-BK             | 120-13845-RD           | 120-13845-P          |
| FDLi             | 1.75 / 1.75" | .81"        | 120-13844                | 120-13844-BK             | 120-13844-RD           | 120-13844-P          |
| FDLi w/dust seal | 1.75 / 1.75" | .81"        | N/A                      | 120-14447-BK             | 120-14447-RD           | 120-14447-P          |
| FDLi             | 1.75 / 1.75" | .38"        | N/A                      | N/A                      | N/A                    | 120-13843-P          |
| FDLi             | 1.62 / 1.62" | .81"        | N/A                      | 120-13842-BK             | 120-13842-RD           | 120-13842-P          |
| FDLi             | 1.62 / 1.62" | .38"        | N/A                      | N/A                      | N/A                    | 120-13841-P          |
| FDLi             | 1.38 / 1.38" | 1.00"       | 120-13840                | N/A                      | N/A                    | N/A                  |
| FDLi             | 1.38 / 1.38" | .81"        | 120-13839                | 120-13839-BK             | 120-13839-RD           | 120-13839-P          |
| FDLi w/dust seal | 1.38 / 1.38" | .81"        | N/A                      | 120-14446-BK             | 120-14446-RD           | N/A                  |
| FDLi             | 1.12 / 1.12" | .81"        | 120-14932                | 120-14932-BK             | 120-14932-RD           | N/A                  |