

#### ***DYNALITE / MC4 REAR PARKING BRAKE KIT***

*For the Chevrolet 12-Bolt C-Clip Eliminator combines the track proven endurance and high-tech styling of the Forged Dynalite caliper with an integrated MC4 caliper parking brake. Kits are available for both standard and staggered shock mount configurations.*



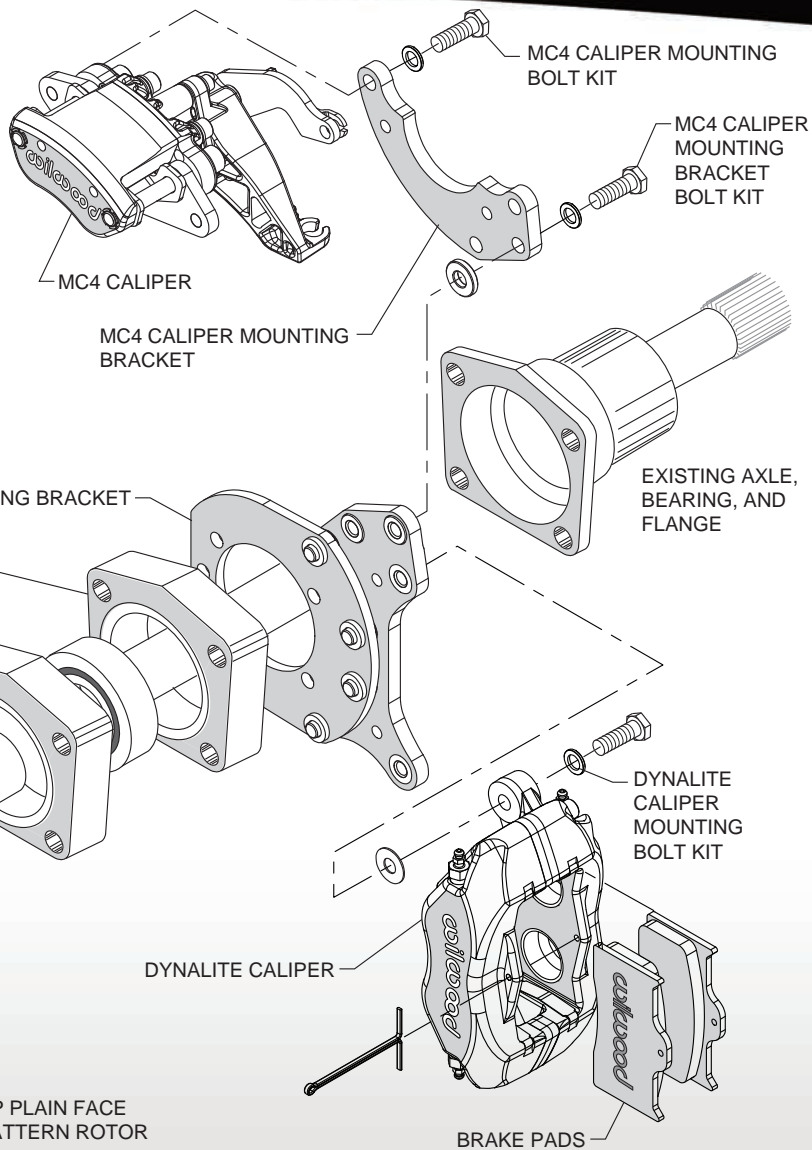
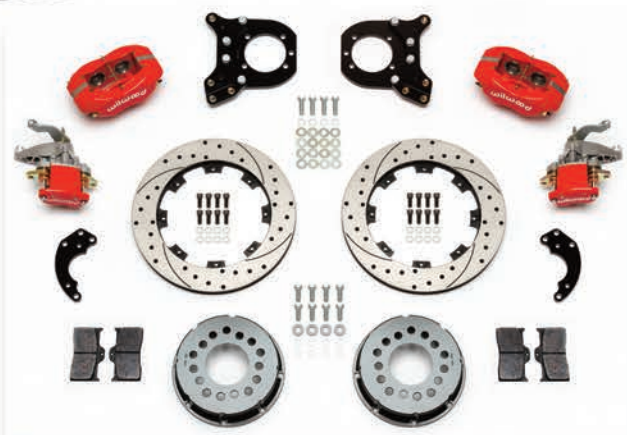
#### ***KIT FEATURES***

- Fits Chevy C-Clip Eliminator equipped rear ends with 2.91" axle offset
- Dynalite four piston forged aluminum calipers with stainless steel pistons and BP-10 metallic - composite compound *SmartPads*
- Compact MC4 mechanical parking brake calipers with high-torque CM brake pads
- Both calipers are available in 24 colour options
- 12.19" by .81" thick ULHP plain face or SRP drilled and slotted vented iron rotors
- Kits include a detailed guide with step-by-step instructions of the fully bolt-on installation



Notes: Check [www.wilwood.com](http://www.wilwood.com) for complete year/make/model application data and specific wheel clearance requirements.

### DYNALITE / MC4 REAR PARKING BRAKE KIT



**PLEASE CHECK:** WILWOOD ALWAYS RECOMMENDS CHECKING [www.wilwood.com](http://www.wilwood.com) FOR COMPLETE YEAR/MAKE/MODEL APPLICATION DATA AND SPECIFIC WHEEL CLEARANCE REQUIREMENTS.

#### ORDERING INFORMATION: Dynalite/MC4 Rear P-Brake Kits for Chevy 12-Bolt C-Clip Eliminator, 2.91" Offset

PART NUMBER	DESCRIPTION	CALIPER FINISH
<a href="#">140-14224</a>	Dynalite/MC4 Rear Kit with 12.19" Diameter ULHP Plain Face Rotor	Black Powder Coat
<a href="#">140-14224-D</a>	Dynalite/MC4 Rear Kit with 12.19" Diameter SRP Drilled and Slotted Rotor	Black Powder Coat
<a href="#">140-14224-R</a>	Dynalite/MC4 Rear Kit with 12.19" Diameter ULHP Plain Face Rotor	Red Powder Coat
<a href="#">140-14224-DR</a>	Dynalite/MC4 Rear Kit with 12.19" Diameter SRP Drilled and Slotted Rotor	Red Powder Coat
<a href="#">140-14259</a>	Dynalite/MC4 Rear Kit with 12.19" Diameter ULHP Plain Face Rotor-Staggered Mount Calipers	Black Powder Coat
<a href="#">140-14259-D</a>	Dynalite/MC4 Rear Kit with 12.19" Diameter SRP Drilled and Slotted Rotor-Staggered Mount Calipers	Black Powder Coat
<a href="#">140-14259-R</a>	Dynalite/MC4 Rear Kit with 12.19" Diameter ULHP Plain Face Rotor-Staggered Mount Calipers	Red Powder Coat
<a href="#">140-14259-DR</a>	Dynalite/MC4 Rear Kit with 12.19" Diameter SRP Drilled and Slotted Rotor-Staggered Mount Calipers	Red Powder Coat