



GM 2500 SERIES TRUCK/SUV • 1999-2015 FRONT TX6R BIG BRAKE KITS

Tactical Xtreme TX6R
radial mount six piston
caliper kits are engineered
for heavy duty trucks and
SUVs providing the
ultimate in high strength
braking for all types of
highway and off-road
extreme duty applications.



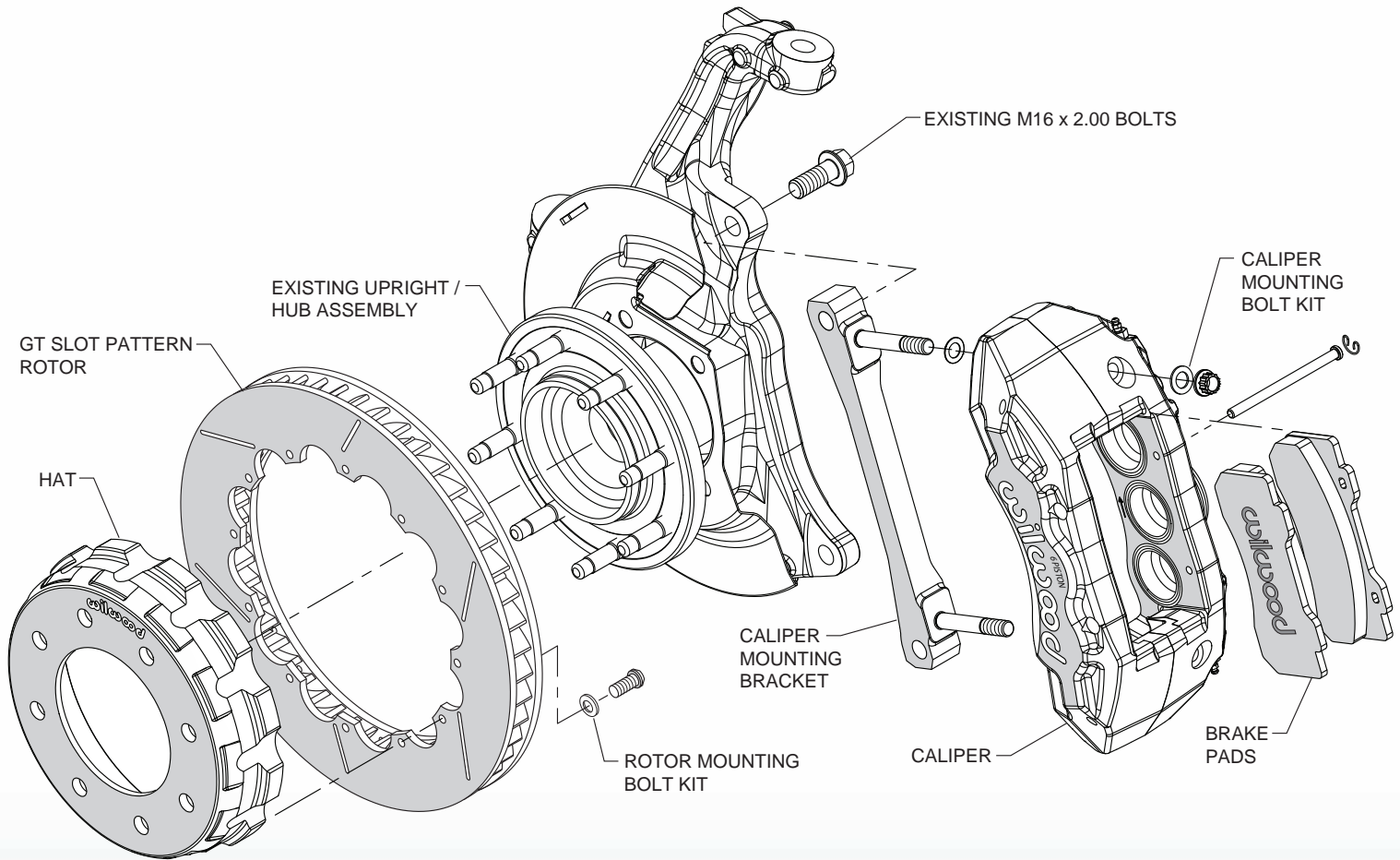
Kit Features



- Forged aluminum calipers with stainless steel pistons and high-temp internal bore seals
- Big diameter 15.00" or 16.00" **Spec 37** alloy directional vane rotors by 1.50" thick ⁽¹⁾
- BP-20 metallic – composite compound *SmartPads*
- Fully compatible with the Original Equipment master cylinder output and electronic control systems
- Calipers available in gloss black or red powder coat or clear anodize finish
- Easy bolt-on installation with premium grade hardware and detailed instruction guide ⁽²⁾

(1) Check www.wilwood.com for complete year/make/model application data and specific wheel clearance requirements

(2) Stainless steel braided flexline kits are required for installation and must be ordered separately by specific vehicle make, model, and year



PLEASE CHECK: WILWOOD ALWAYS RECOMMENDS CHECKING www.wilwood.com FOR COMPLETE YEAR/MAKE/MODEL APPLICATION DATA AND SPECIFIC WHEEL CLEARANCE REQUIREMENTS.

ORDERING INFORMATION:

PART NUMBER	DESCRIPTION	CALIPER FINISH
140-13873	Front Kit, 2011-2015 GM 2500, 8-Lug, 3/4 Ton, TX6R Calipers, 15.00" Spec37 GT Rotors	Black Powder Coat
140-13873-R	Front Kit, 2011-2015 GM 2500, 8-Lug, 3/4 Ton, TX6R Calipers, 15.00" Spec37 GT Rotors	Red Powder Coat
140-13873-C	Front Kit, 2011-2015 GM 2500, 8-Lug, 3/4 Ton, TX6R Calipers, 15.00" Spec37 GT Rotors	Clear Anodize
140-13877	Front Kit, 1999-2010 GM 2500, 8-Lug, 3/4 Ton, TX6R Calipers, 16.00" Spec37 GT Rotors	Black Powder Coat
140-13877-R	Front Kit, 1999-2010 GM 2500, 8-Lug, 3/4 Ton, TX6R Calipers, 16.00" Spec37 GT Rotors	Red Powder Coat
140-13877-C	Front Kit, 1999-2010 GM 2500, 8-Lug, 3/4 Ton, TX6R Calipers, 16.00" Spec37 GT Rotors	Clear Anodize