

Compact Combination Master Cylinder Kits

Wilwood's Side Mount Compact Combination Master Cylinders have been fully redesigned for limited space applications requiring the output capacity of a full size master cylinder.

- **Over 2" Additional Clearance** - Compared to full size combination master cylinders, the ultra short 3.37" compact body provides 2.16" of additional clearance.
- **No Loss Of Volume Or Stroke Capacity** - A full 1.12" of piston stroke meets or exceeds the stroke capacity of most full size cylinders.
- **Simplified Plumbing** - 1/8" NPT outlets provide a positive seal and reduce the potential for stripped threads.
- **Simplified Bleeding** - Fluid outlet ports located at the top radius of the cylinder bore reduce the chances for trapped air and eliminate the need for body mounted bleed screws.
- **Instant Response** - Extreme close tolerance cut-off and equalization ports deliver immediate activation without wasted pedal travel.
- **Positive Release** - Extra heavy rate internal return springs provide smooth operation and firm, positive release.
- **Cool Running** - Reduced external surface area and a composite fluid reservoir minimize absorption of external radiant heat.
- **Tested Tough** - Proven durable with piston, bore, and seal designs tested to survive over 100,000 cycles.
- **Versatile** - 4 mounting options with choices for direct or remote mounting of 7 or 10 ounce reservoirs that include an impact resistant threaded cap with an internal baffle and seals.
- **Corrosion Free** - Black E-Coated aluminum bodies resists corrosion and maintains a durable long lasting finish.



Compact Combination Master Cylinder

(Shown with Large (10 oz) Reservoir, Direct Mounted)
Down Load High Resolution Photo for Printing, [Click Here](#)

ORDERING INFORMATION:

BORE SIZE	COMPLETE KIT WITH RESERVOIRS	MASTER CYLINDER ONLY	REBUILD KIT
5/8" (15,9)	260-12384	260-12378	260-10513
3/4" (19,1)	260-12385	260-12379	260-10514
13/16" (20,6)	260-12386	260-12380	260-10515
7/8" (22,2)	260-12387	260-12381	260-10516
1" (25,4)	260-12388	260-12382	260-10517
1-1/8" (28,6)	260-12389	260-12383	260-10518

Minimum Mounting Requirements and Variations

Four Different Master Cylinder Combinations Available in One Kit

Wilwood's new side mount compact combination master cylinder kit can be mounted with the reservoir on the master cylinder body "direct mount" (Figure 1), or the reservoir positioned at a convenient remote location "remote mount" (Figure 2), and then connected via a flexible hose.

Both versions can utilize either a large or small mount reservoir (included in the kit), as your application warrants. Refer to Figure 3 for the minimum mounting requirements before installation begins.

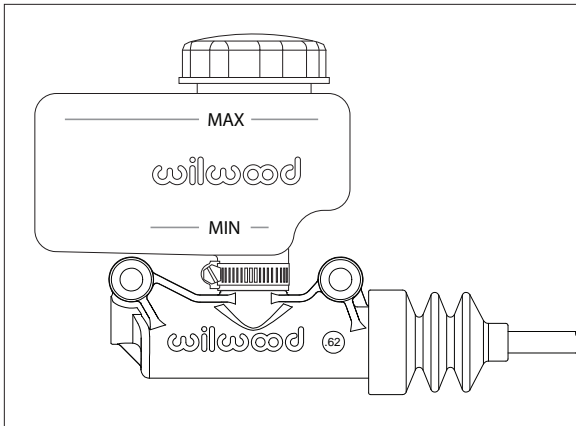


Figure 1. Direct Mounted Master Cylinder

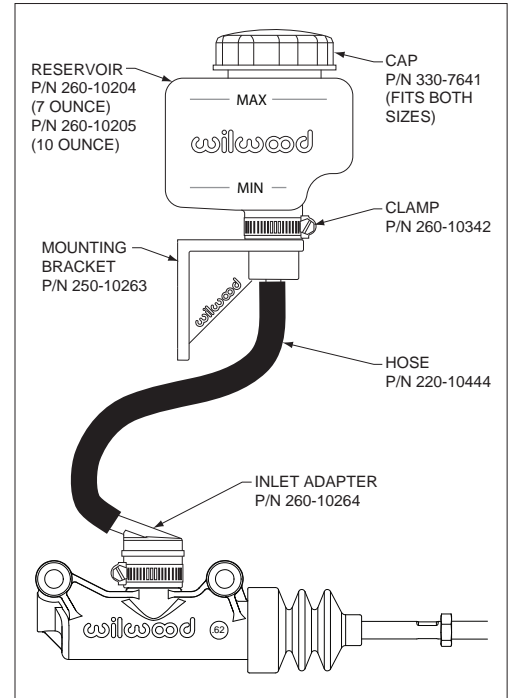


Figure 2. Remote Mounted Master Cylinder

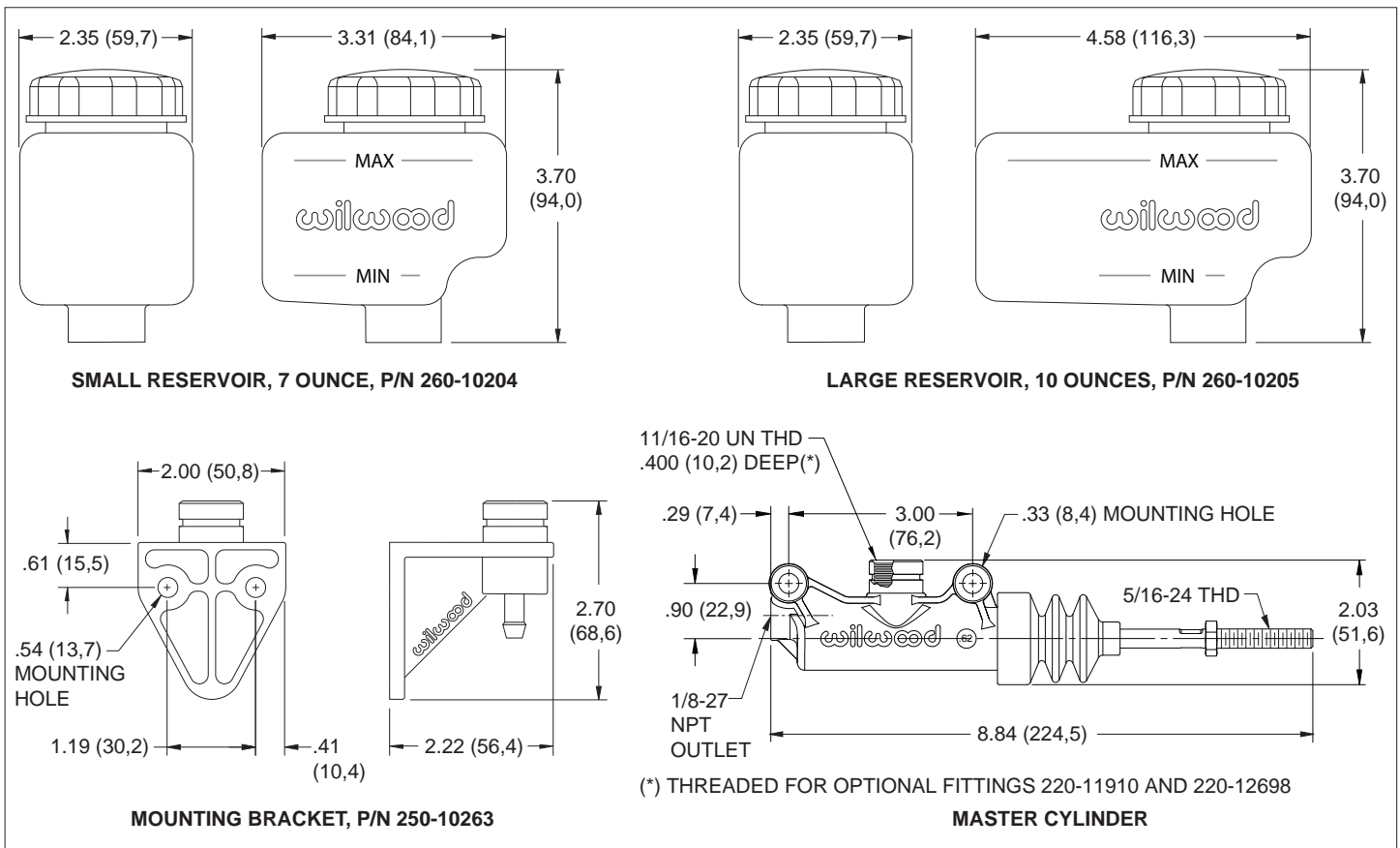


Figure 3. Minimum Mounting Requirements for Mounting Bracket, Master Cylinder and Reservoirs