

FORGED NARROW SUPERLITE 4R/6R RADIAL MOUNT CALIPER

Caliper Highlights:

Wilwood Superlite FNSLR radial mount calipers combine state of the art forged caliper technology, with track proven performance options for oval track, off-road, and road course competition. Premium grade billet, stress flow forging, and a highly efficient overall design, make the FNSLR calipers as strong as any, including one piece calipers, of any caliper design in its category.



FNSL6R Caliper Shown in Red
([download high-res photo](#)) **

- High strength, reinforced bridge forged billet aluminum body
- Thermlock® or stainless steel pistons with high temperature seals
- Protected bleed design with internal fluid ports
- 16mm type 7416 pads
- Four and six piston models with volume options covering the full range of front and rear applications with .81", 1.10", or 1.25" wide rotors

All Superlite calipers feature a removable center bridge support for pad retention, additional reinforcement against body separation under load, and easy access to the pads for service without caliper removal. Base model calipers include stainless steel pistons and a black anodized finish. Quick-Silver S/T models feature nickel based plating and Thermlock pistons to provide the highest degree of durability with maximum heat control in extreme, sustained high temperature competition. All S/T models include internal piston dampening springs to assist with knock-back control and excessive piston retraction that can result from vibration, hard cornering, and all types of on-track dynamic influences.

ORDERING INFORMATION, 4 PISTON:

<u>Part Number</u>	<u>Caliper</u>	<u>Piston Size</u>	<u>Disc Width</u>	<u>Piston Type</u>	<u>Orientation</u>	<u>Finish</u>
120-12501-N	FNSL4R/ST	1.75/1.75"	1.25"	Thermlock	Right / Left	Quick-Silver
120-11784-BK	FNSL4R	1.75/1.75"	1.10"	Stainless	Right / Left	Black Powder
120-11784-RD	FNSL4R	1.75/1.75"	1.10"	Stainless	Right / Left	Red Powder
120-11783-BK	FNSL4R	1.25/1.25"	1.10"	Stainless	Right / Left	Black Powder
120-11783-RD	FNSL4R	1.25/1.25"	1.10"	Stainless	Right / Left	Red Powder
120-12602-N	FNSL4R/ST	1.25/1.25"	1.10"	Thermlock	Right / Left	Quick-Silver
120-11782-BK	FNSL4R	1.12/1.12"	1.10"	Stainless	Right / Left	Black Powder
120-11782-RD	FNSL4R	1.12/1.12"	1.10"	Stainless	Right / Left	Red Powder
120-12603-N	FNSL4R/ST	1.12/1.12"	1.10"	Thermlock	Right / Left	Quick-Silver
120-11876-BK	FNSL4R	1.12/1.12"	.81"	Stainless	Right / Left	Black Powder
120-11876-RD	FNSL4R	1.12/1.12"	.81"	Stainless	Right / Left	Red Powder

** To download a high resolution photo of these products, please go to our FTP location:

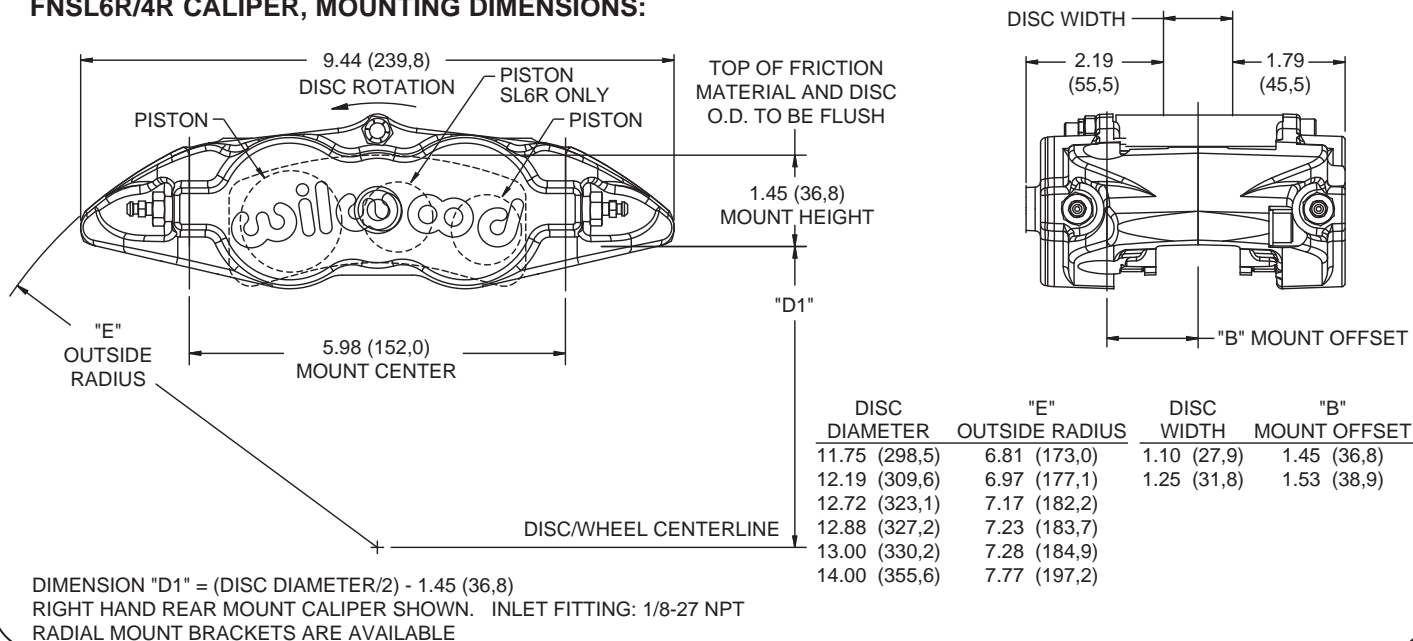
<ftp://photos.wilwood.com> • Username: advert • Password: photos

Path: Calipers / FNSL6R 120-11778-RD.tif

ORDERING INFORMATION, 6 PISTON:

Part Number	Caliper	Piston Size	Disc Width	Piston Type	Orientation	Finish
120-11778-BK	FNSL6R	1.62/1.12/1.12"	1.25"	Stainless	Right Hand	Black Powder
120-11778-RD	FNSL6R	1.62/1.12/1.12"	1.25"	Stainless	Right Hand	Red Powder
120-11779-BK	FNSL6R	1.62/1.12/1.12"	1.25"	Stainless	Left Hand	Black Powder
120-11779-RD	FNSL6R	1.62/1.12/1.12"	1.25"	Stainless	Left Hand	Red Powder
120-13147-N	FNSL6R/ST	1.62/1.12/1.12"	1.25"	Thermlock	Right Hand	Quick-Silver
120-13148-N	FNSL6R/ST	1.62/1.12/1.12"	1.25"	Thermlock	Left Hand	Quick-Silver
120-11780-BK	FNSL6R	1.62/1.12/1.12"	1.10"	Stainless	Right Hand	Black Powder
120-11780-RD	FNSL6R	1.62/1.12/1.12"	1.10"	Stainless	Right Hand	Red Powder
120-11781-BK	FNSL6R	1.62/1.12/1.12"	1.10"	Stainless	Left Hand	Black Powder
120-11781-RD	FNSL6R	1.62/1.12/1.12"	1.10"	Stainless	Left Hand	Red Powder
120-13157-N	FNSL6R/ST	1.62/1.12/1.12"	1.10"	Thermlock	Right Hand	Quick-Silver
120-13158-N	FNSL6R/ST	1.62/1.12/1.12"	1.10"	Thermlock	Left Hand	Quick-Silver
120-12002-BK	FNSL6R	1.38/1.12/1.12"	1.10"	Stainless	Right Hand	Black Powder
120-12002-RD	FNSL6R	1.38/1.12/1.12"	1.10"	Stainless	Right Hand	Red Powder
120-12003-BK	FNSL6R	1.38/1.12/1.12"	1.10"	Stainless	Left Hand	Black Powder
120-12003-RD	FNSL6R	1.38/1.12/1.12"	1.10"	Stainless	Left Hand	Red Powder

FNSL6R/4R CALIPER, MOUNTING DIMENSIONS:



FNSL6R/4R CALIPER, TYPE 7416 PAD DIMENSIONS AND ORDERING INFORMATION:

AXLE SET PART NO.	PAD TYPE / COMPOUND
15A - 6704K	7416 A PolyMatrix A
15B - 6705K	7416 B PolyMatrix B
15E - 6707K	7416 E PolyMatrix E
15H - 8546K	7416 H PolyMatrix H
15Q - 6828K	7416 Q PolyMatrix Q
150 - 8855K	7416 10 BP-10 Smart Pad
150 - 9415K	7416 20 BP-20 Smart Pad
150 - 11736K	7416 30 BP-30 Smart Pad
150 - 12244K	7416 40 BP-40 Smart Pad
150 - 12485K	7416 PCM